



Zhongshan Junyi Technology Co.,Ltd
CATALOG

Lean Pipe

Good material determines good quality



With anti - rust coating



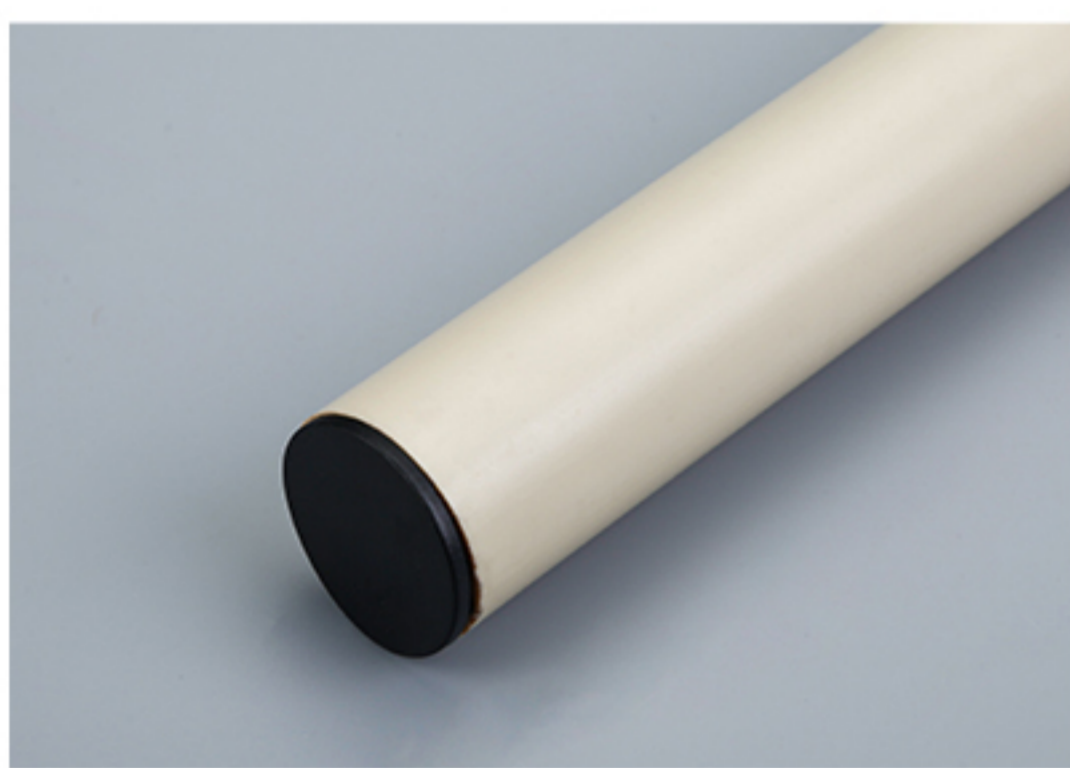
No antirust paint

Iron pipe material: **SPCC** Plastic material: **ABS/PE/ESD**

Production process: **Extrusion + Welding**

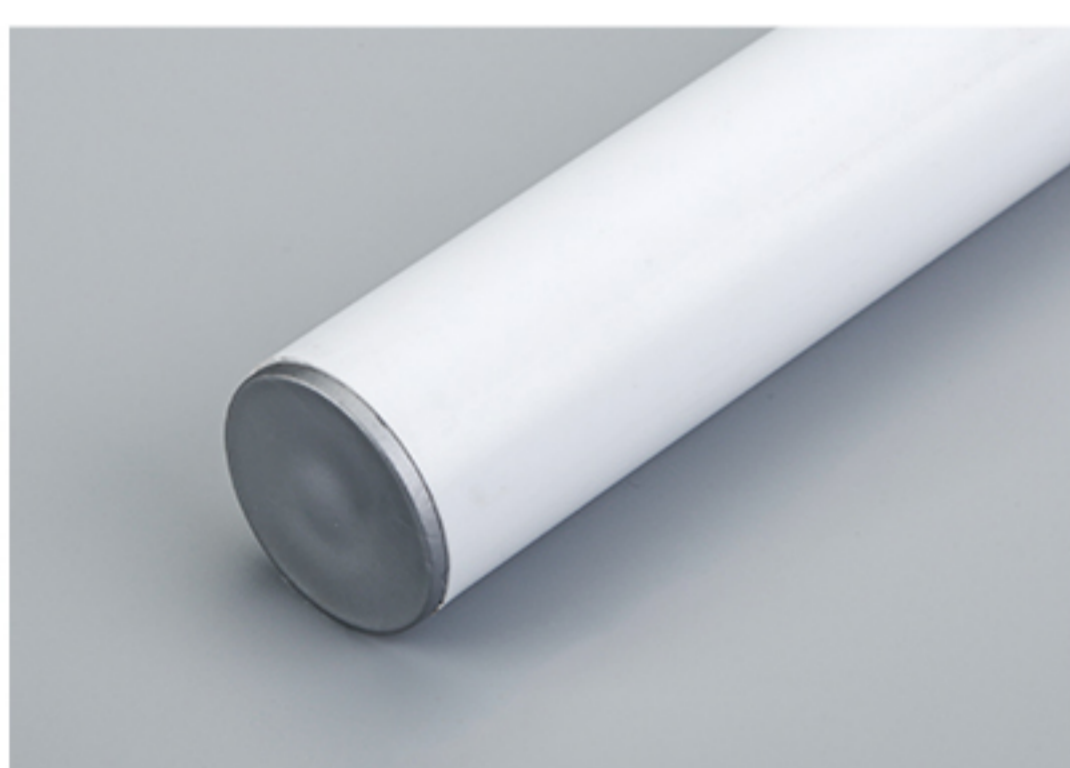
Unit: mm

JY-4000XY



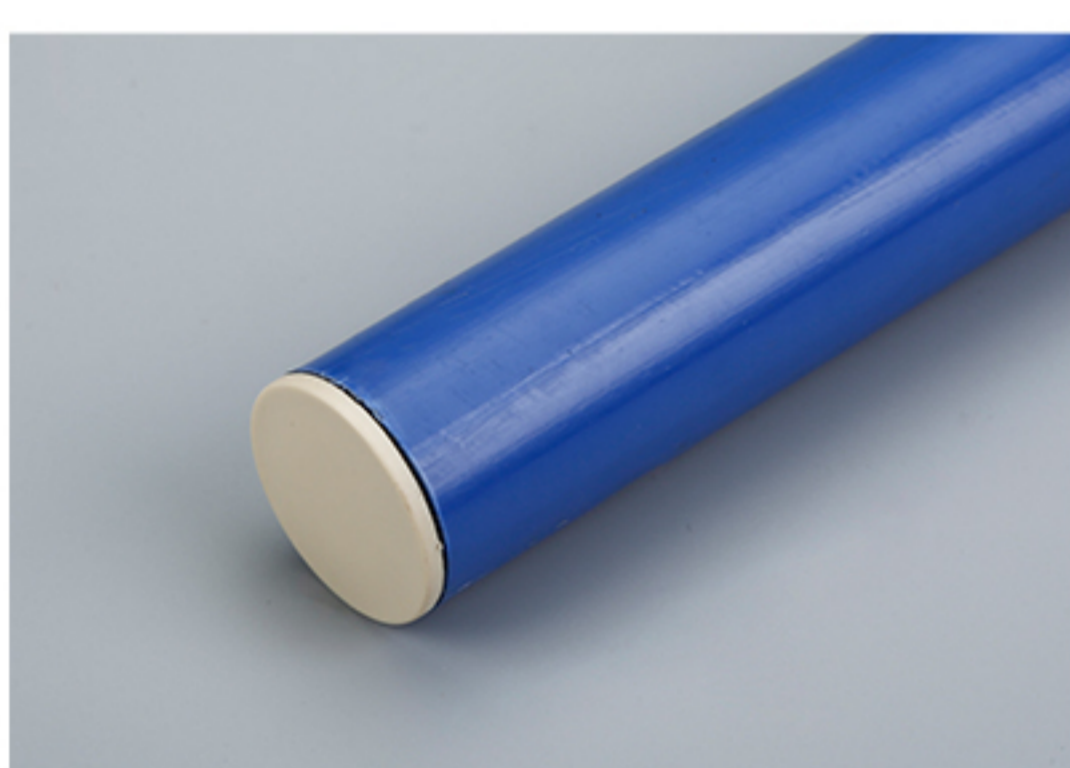
Raw material	Pipe: SPCC	Thickness	Weight(g)/M
The material of plastic	4000XX-P:PE	0.7	530
	4000XX-A:ABS	0.8	570
Color	4000XY: Ivory	1.0	700
Length	4000MM	1.2	840
Packaging	Double PVC plastic bag: 10pcs		2.0 1270

JY-4000CB



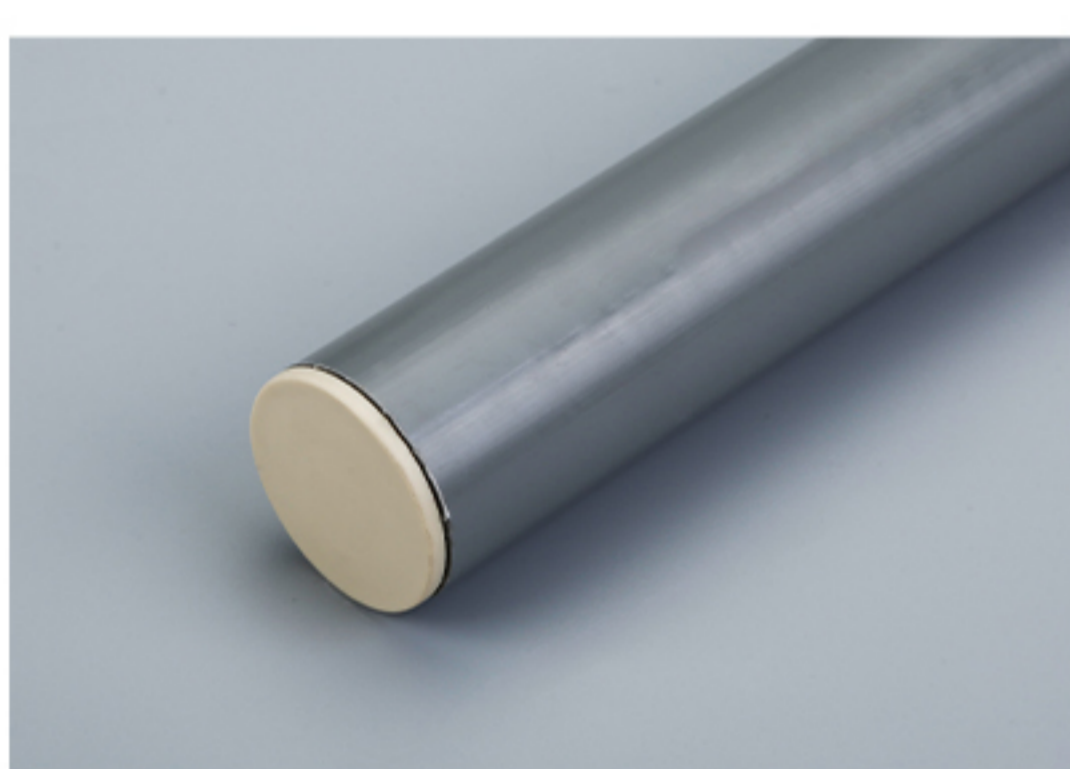
Raw material	Pipe: SPCC	Thickness	Weight(g)/M
The material of plastic	4000XX-P:PE	0.7	530
	4000XX-A:ABS	0.8	570
Color	4000XB: Porcelain white	1.0	700
Length	4000MM	1.2	840
Packaging	Double PVC plastic bag: 10pcs		2.0 1270

JY-4000SL



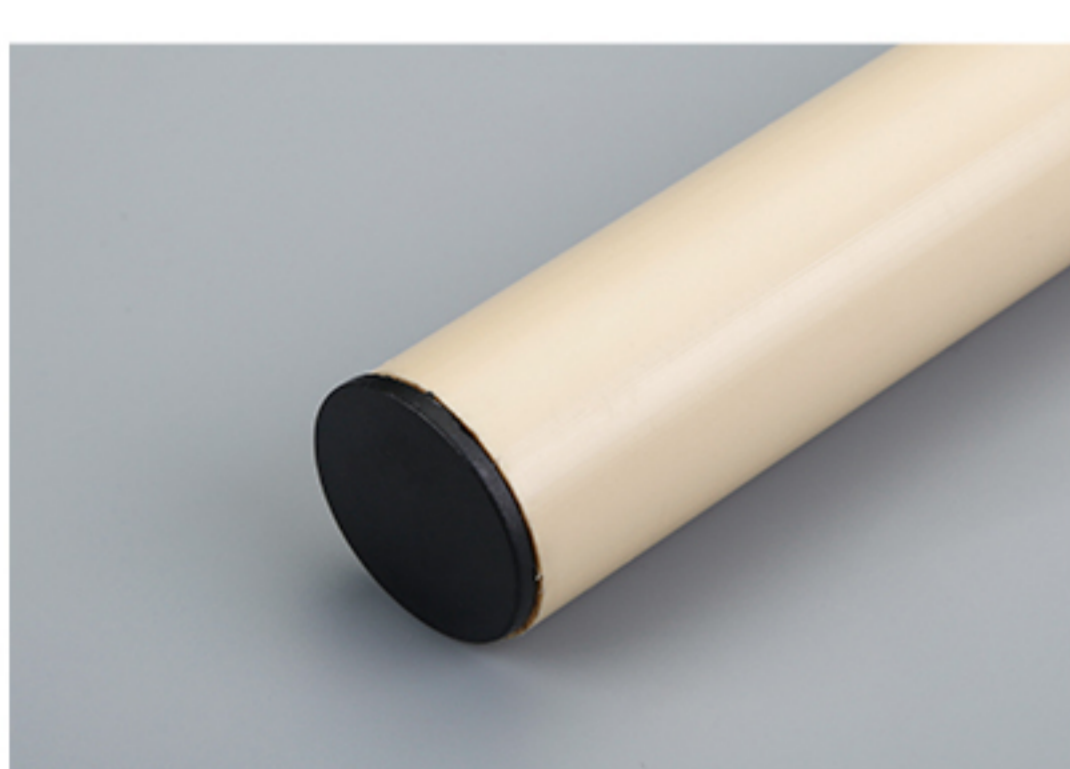
Raw material	Pipe: SPCC	Thickness	Weight(g)/M
The material of plastic	4000XX-P:PE	0.7	530
	4000XX-A:ABS	0.8	570
Color	4000SL: Dark blue	1.0	700
Length	4000MM	1.2	840
Packaging	Double PVC plastic bag: 10pcs		2.0 1270

JY-4000SH



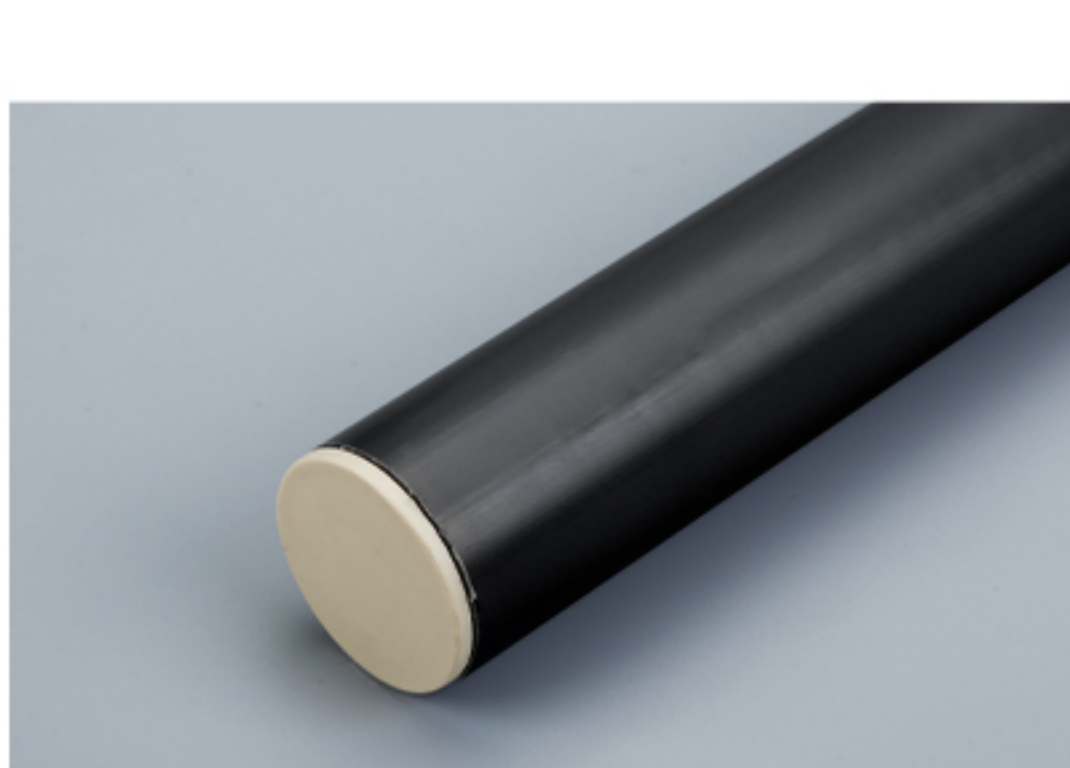
Raw material	Pipe: SPCC	Thickness	Weight(g)/M
The material of plastic	4000XX-P:PE	0.7	530
	4000XX-A:ABS	0.8	570
Color	4000SH: Dark grey	1.0	700
Length	4000MM	1.2	840
Packaging	Double PVC plastic bag: 10pcs		2.0 1270

JY-4000MH



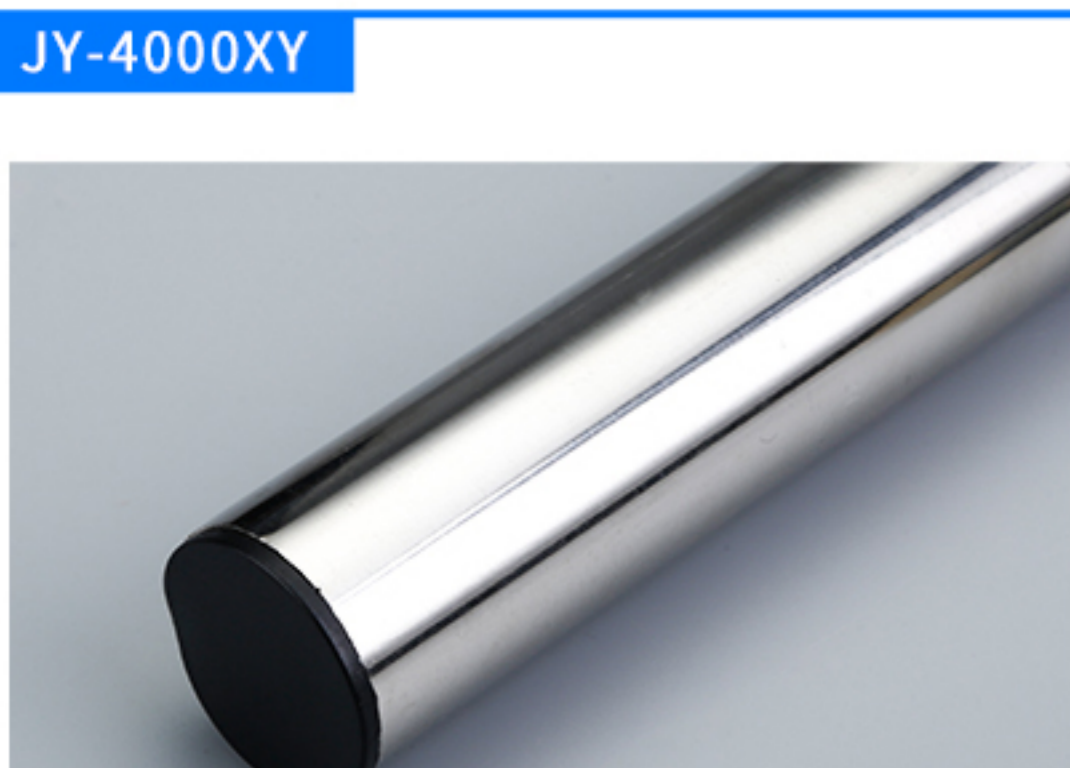
Raw material	Pipe: SPCC	Thickness	Weight(g)/M
The material of plastic	4000XX-P:PE	0.7	530
	4000XX-A:ABS	0.8	570
Color	4000MH: Beige	1.0	700
Length	4000MM	1.2	840
Packaging	Double PVC plastic bag: 10pcs		2.0 1270

JY-4000H



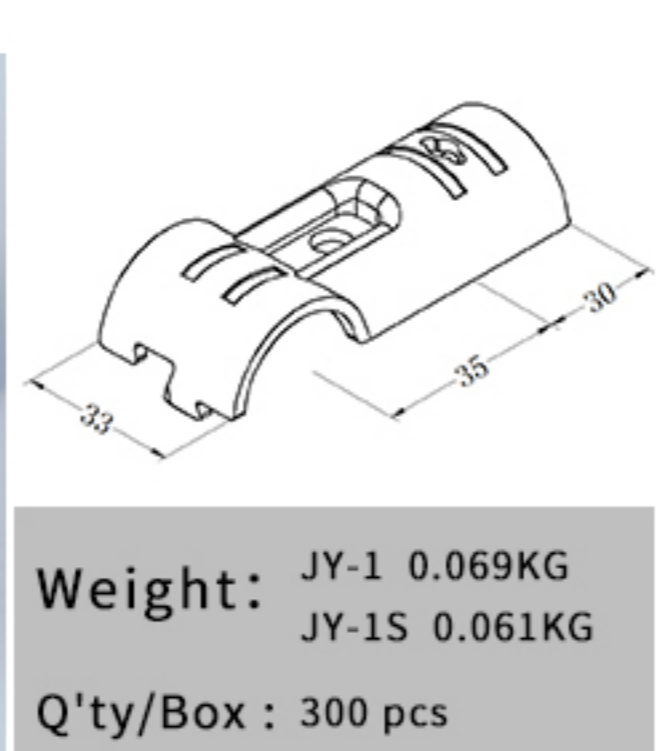
Raw material	Pipe: SPCC	Thickness	Weight(g)/M
The material of plastic	4000XX-P:PE	0.7	530
	4000XX-PE:ESD	0.8	570
	4000XX-A:ABS	1.0	700
Color	4000H: Black	1.2	840
Length	4000MM	2.0	1270
Packaging	Double PVC plastic bag: 10pcs		

JY-4000XY



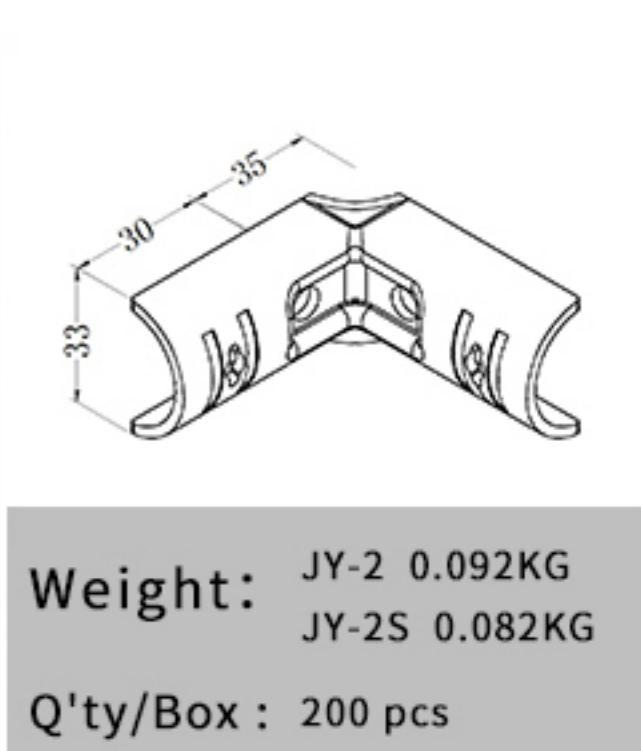
Raw material	SUS	Thickness	Weight(g)/M
Material	201	0.7	450
	430	0.8	490
Length	4000MM	1.0	620
Packaging	Double PVC plastic bag: 10pcs		1.2 750

JY-1:T2.5 / JY-1S:T2.3



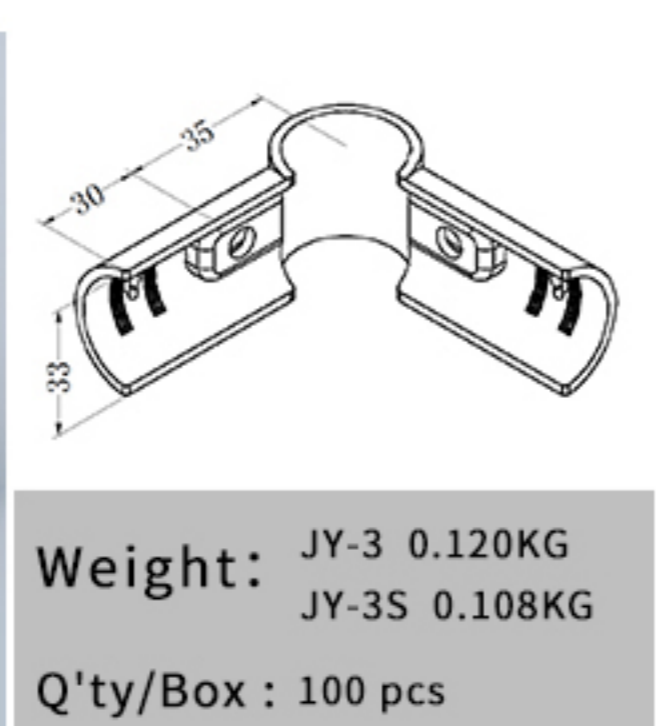
Weight: JY-1 0.069KG
JY-1S 0.061KG
Q'ty/Box : 300 pcs

JY-2:T2.5 / JY-2S:T2.3



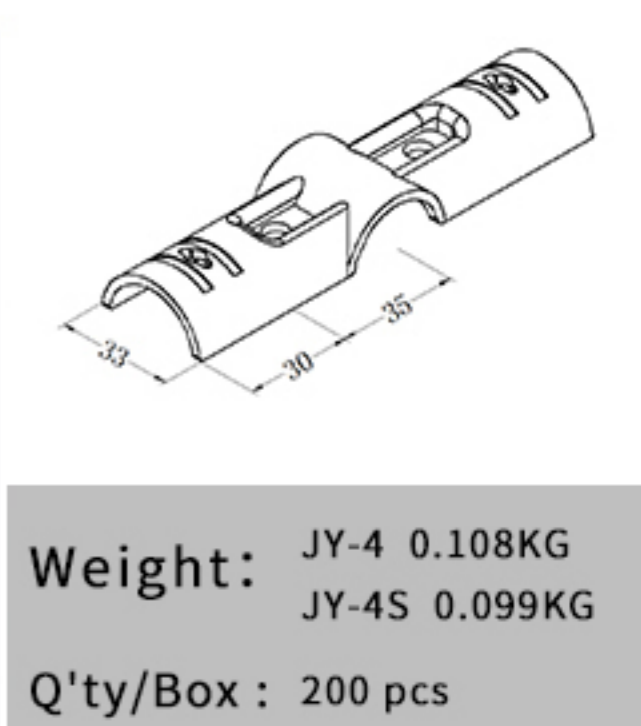
Weight: JY-2 0.092KG
JY-2S 0.082KG
Q'ty/Box : 200 pcs

JY-3:T2.5 / JY-3S:T2.3



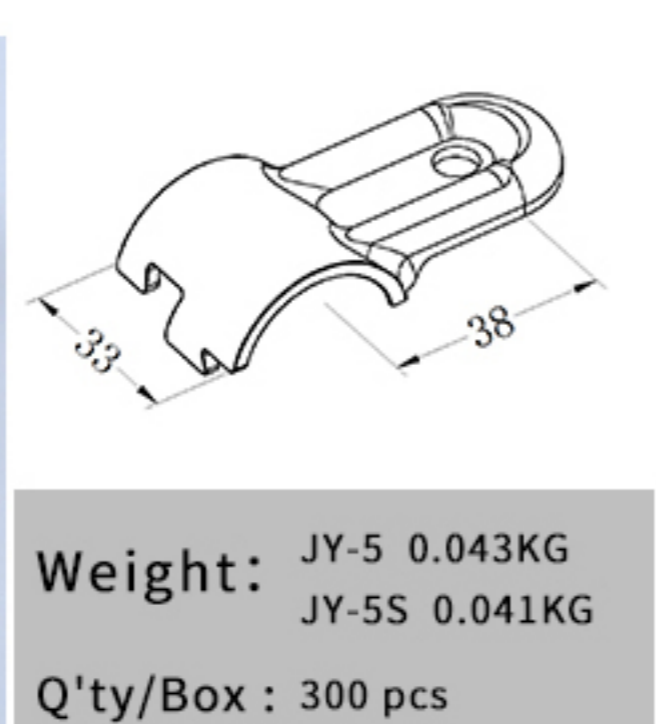
Weight: JY-3 0.120KG
JY-3S 0.108KG
Q'ty/Box : 100 pcs

JY-4:T2.5 / JY-4S:T2.3



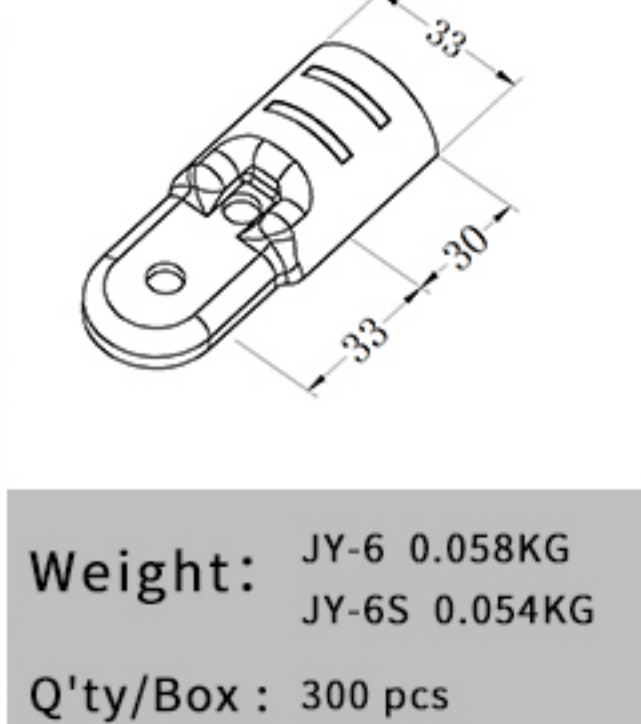
Weight: JY-4 0.108KG
JY-4S 0.099KG
Q'ty/Box : 200 pcs

JY-5:T2.5 / JY-5S:T2.3



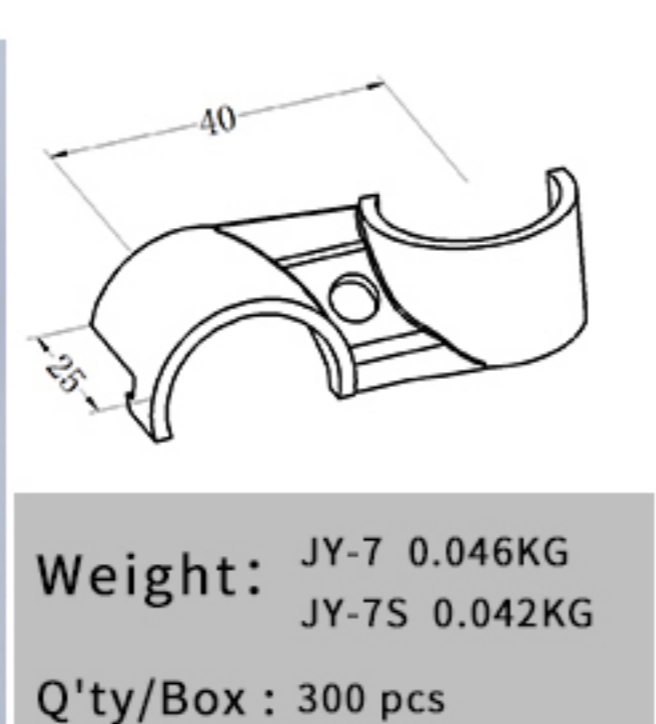
Weight: JY-5 0.043KG
JY-5S 0.041KG
Q'ty/Box : 300 pcs

JY-6:T2.5 / JY-6S:T2.3



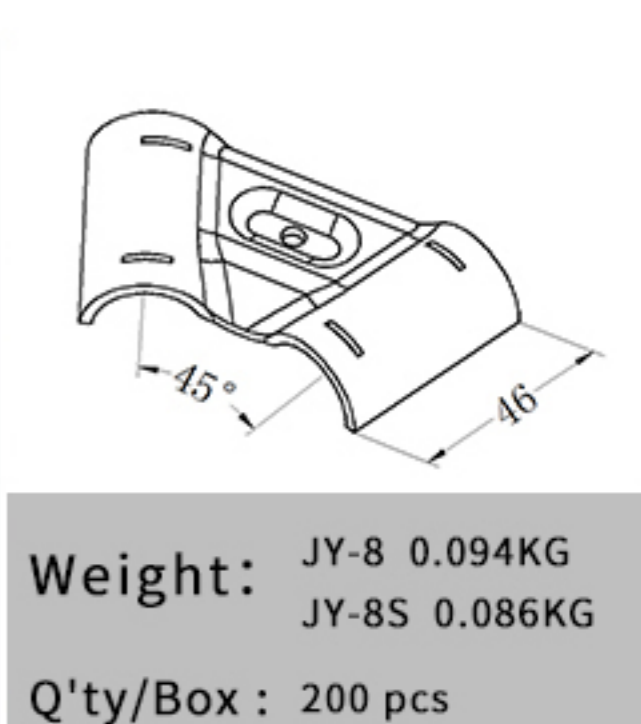
Weight: JY-6 0.058KG
JY-6S 0.054KG
Q'ty/Box : 300 pcs

JY-7:T2.5 / JY-7S:T2.3



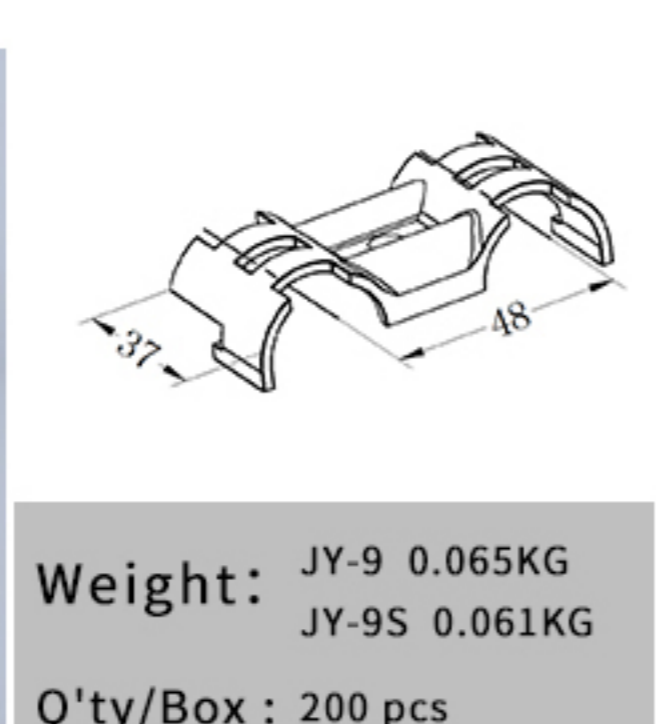
Weight: JY-7 0.046KG
JY-7S 0.042KG
Q'ty/Box : 300 pcs

JY-8:T2.5 / JY-8S:T2.3



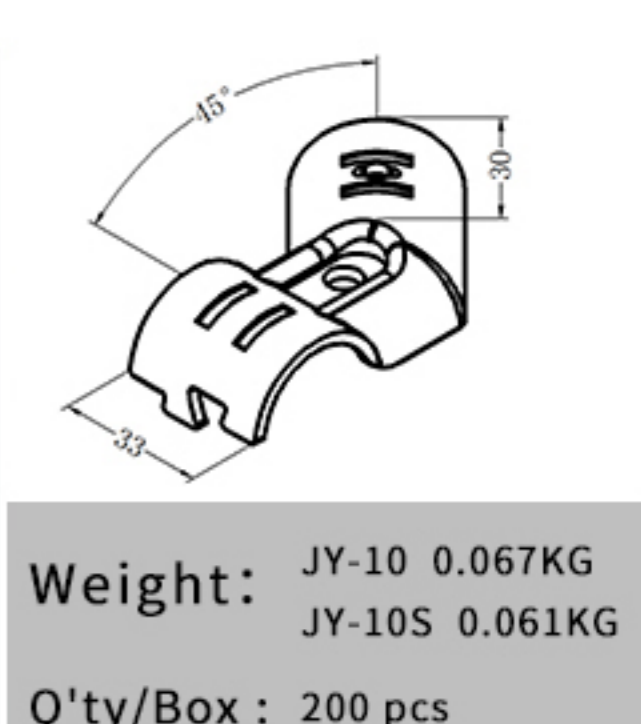
Weight: JY-8 0.094KG
JY-8S 0.086KG
Q'ty/Box : 200 pcs

JY-9:T2.5 / JY-9S:T2.3



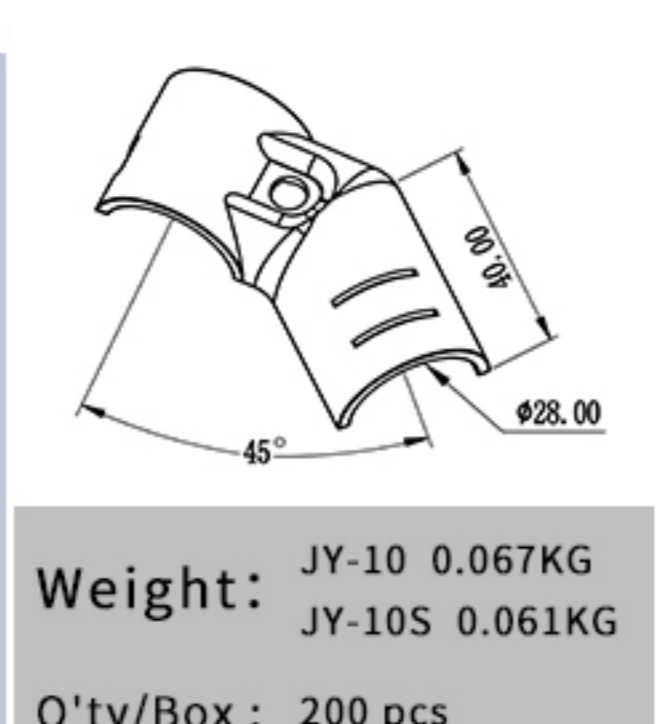
Weight: JY-9 0.065KG
JY-9S 0.061KG
Q'ty/Box : 200 pcs

JY-10A:T2.5 / JY-10AS:T2.3



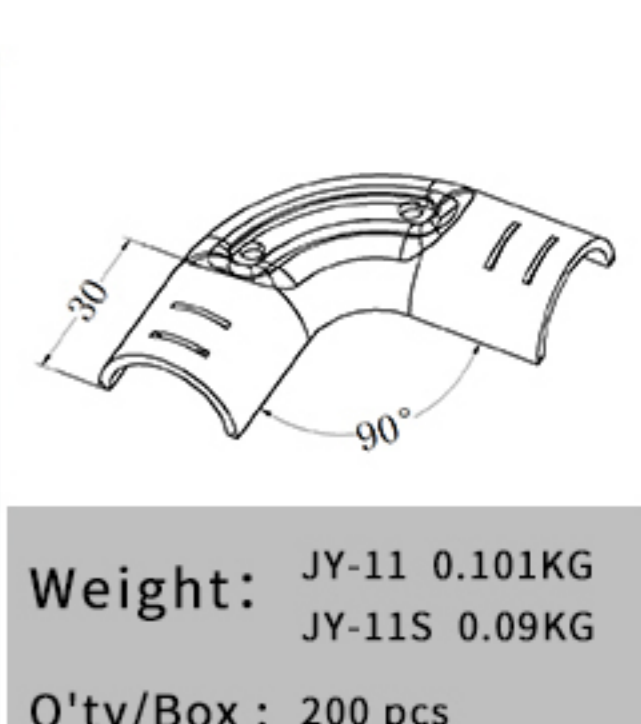
Weight: JY-10 0.067KG
JY-10S 0.061KG
Q'ty/Box : 200 pcs

JY-10B:T2.5 / JY-10BS:T2.3



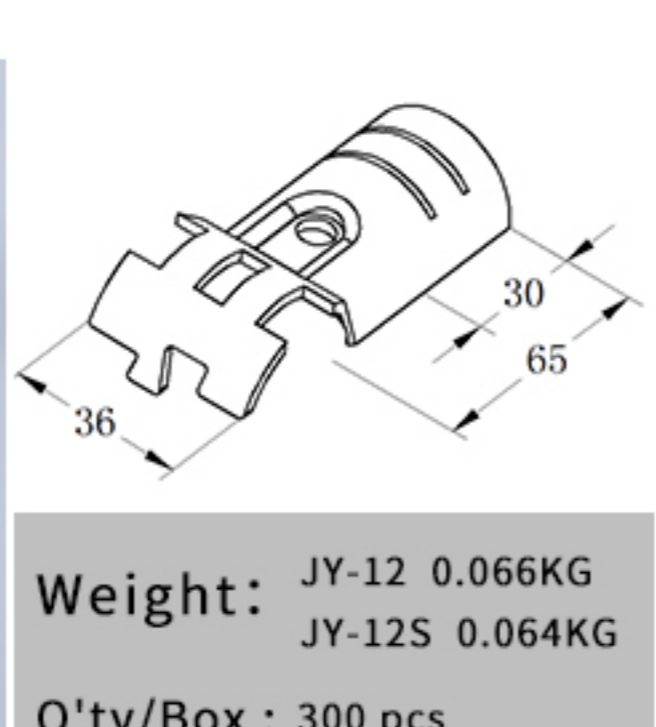
Weight: JY-10 0.067KG
JY-10S 0.061KG
Q'ty/Box : 200 pcs

JY-11:T2.5 / JY-11S:T2.3



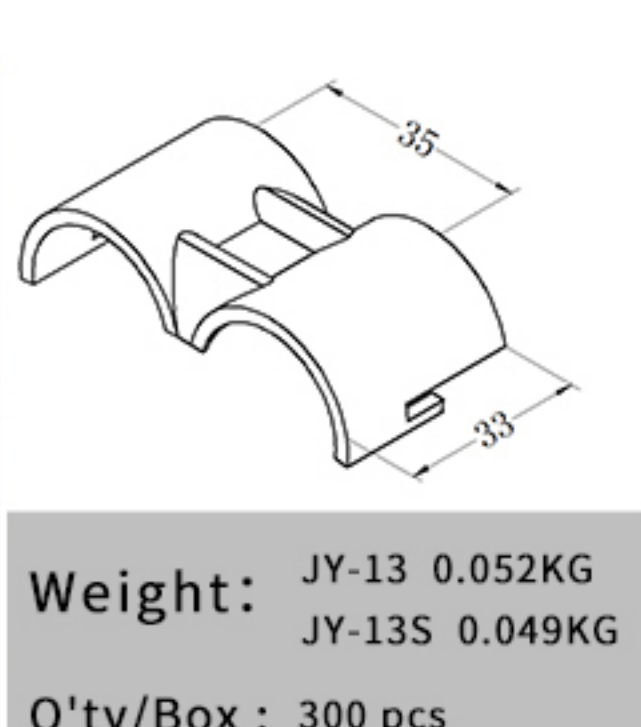
Weight: JY-11 0.101KG
JY-11S 0.09KG
Q'ty/Box : 200 pcs

JY-12:T2.5 / JY-12S:T2.3



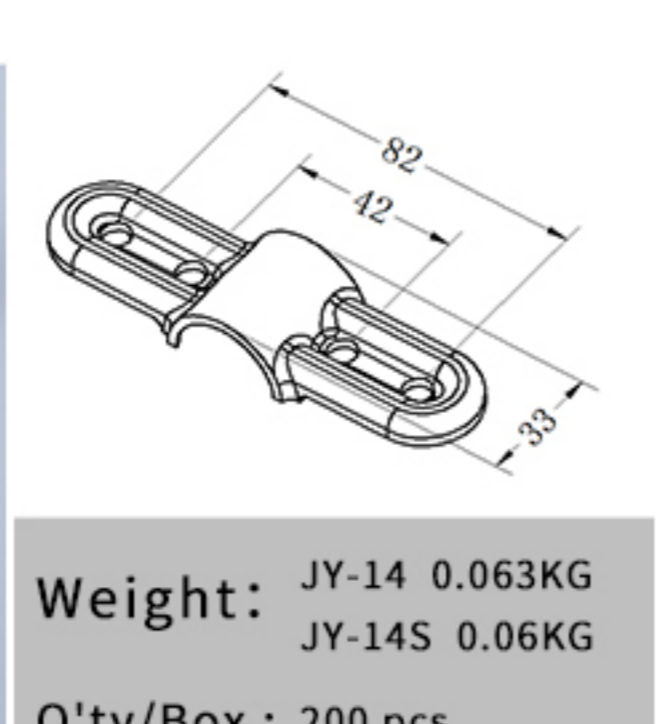
Weight: JY-12 0.066KG
JY-12S 0.064KG
Q'ty/Box : 300 pcs

JY-13:T2.5 / JY-13S:T2.3



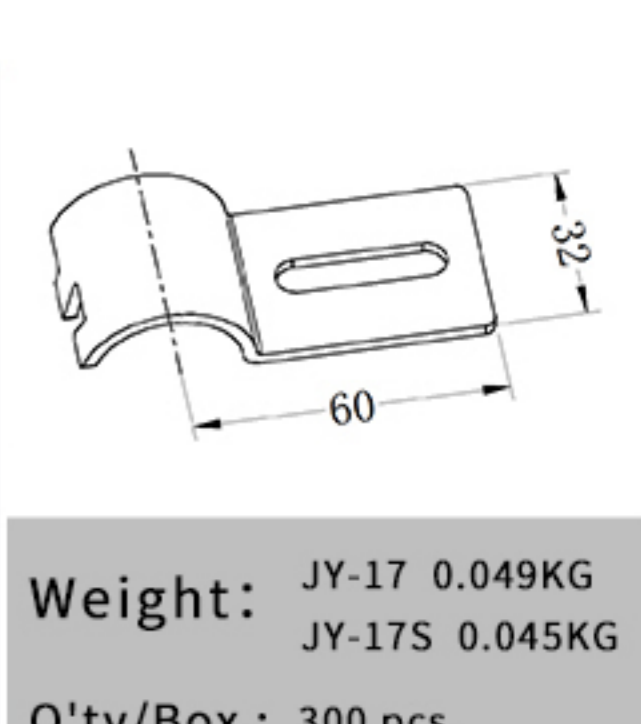
Weight: JY-13 0.052KG
JY-13S 0.049KG
Q'ty/Box : 300 pcs

JY-14:T2.5 / JY-14S:T2.3



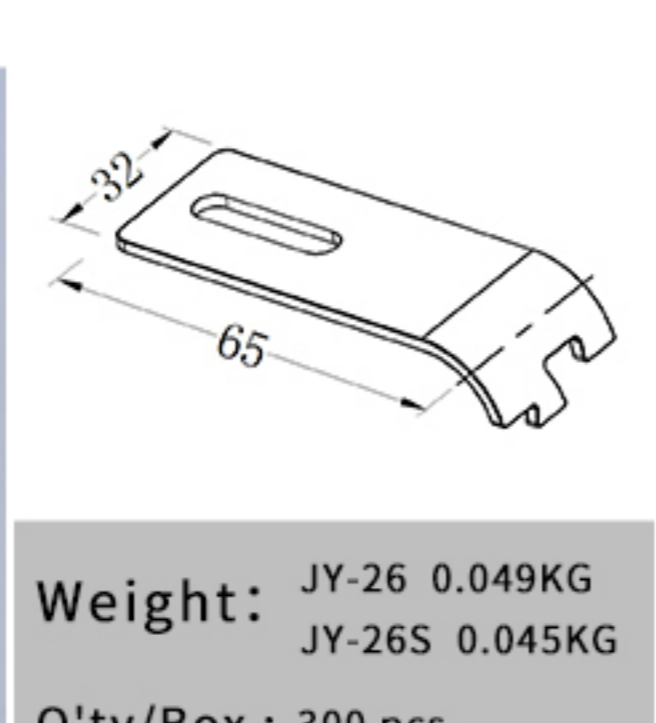
Weight: JY-14 0.063KG
JY-14S 0.06KG
Q'ty/Box : 200 pcs

JY-17:T2.5 / JY-17S:T2.3



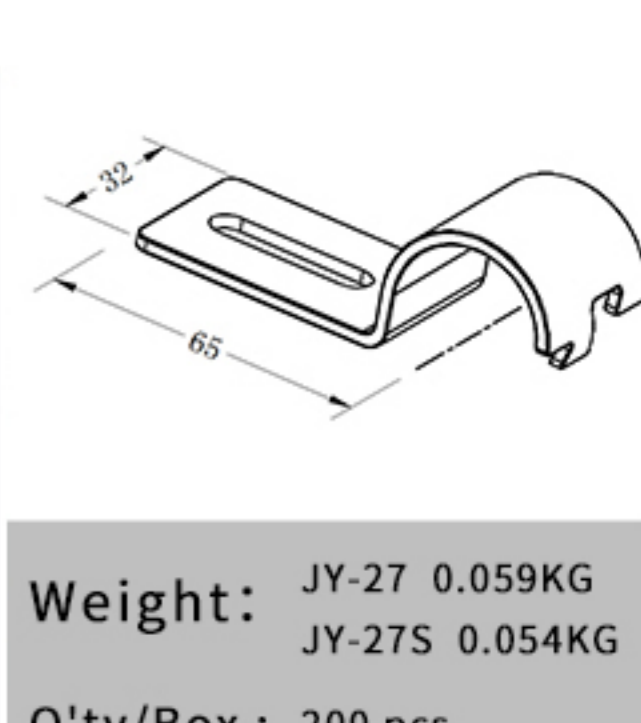
Weight: JY-17 0.049KG
JY-17S 0.045KG
Q'ty/Box : 300 pcs

JY-26:T2.5 / JY-26S:T2.3



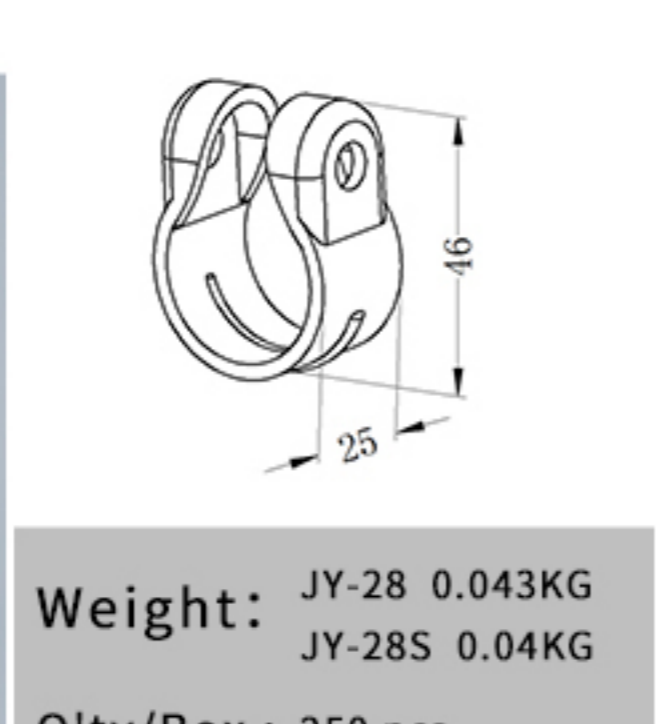
Weight: JY-26 0.049KG
JY-26S 0.045KG
Q'ty/Box : 300 pcs

JY-27:T2.5 / JY-27S:T2.3



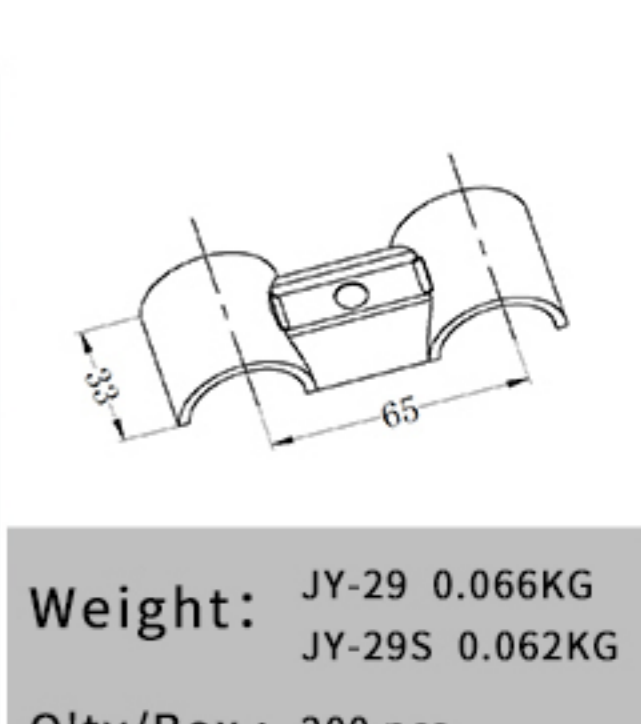
Weight: JY-27 0.059KG
JY-27S 0.054KG
Q'ty/Box : 200 pcs

JY-28:T2.5 / JY-28S:T2.3



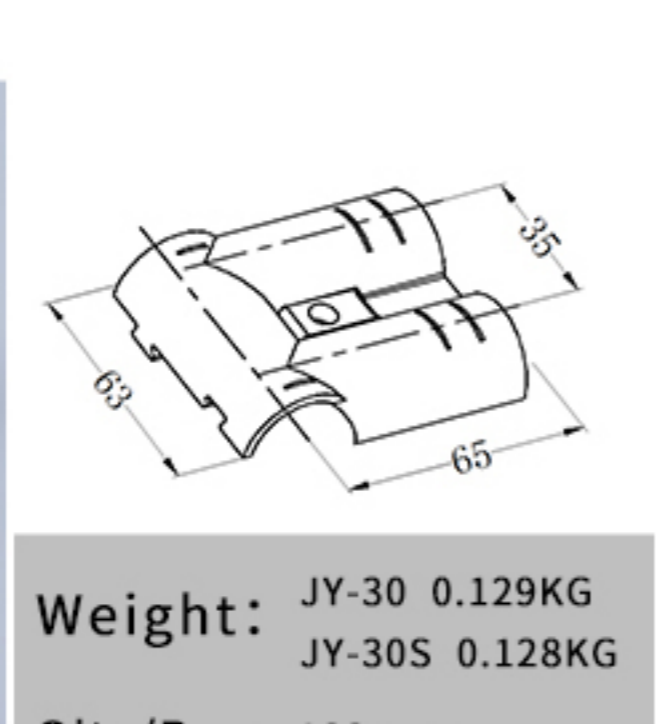
Weight: JY-28 0.043KG
JY-28S 0.04KG
Q'ty/Box : 250 pcs

JY-29:T2.5 / JY-29S:T2.3



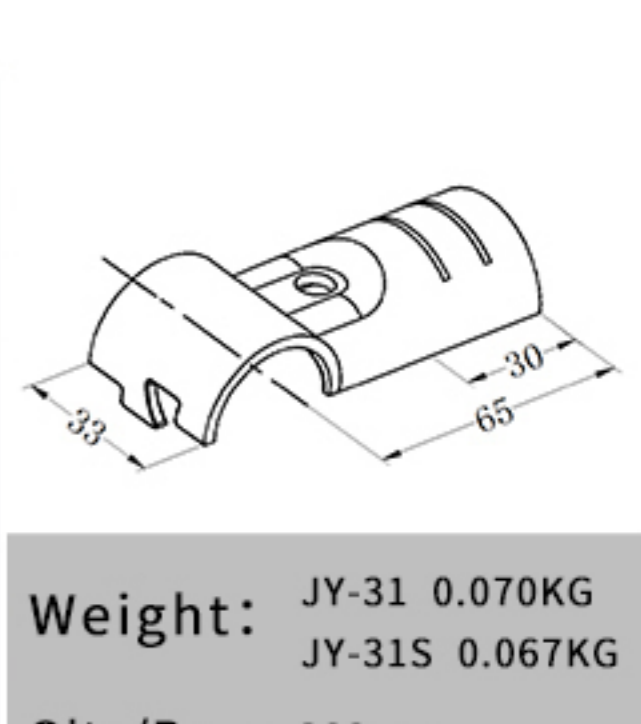
Weight: JY-29 0.066KG
JY-29S 0.062KG
Q'ty/Box : 200 pcs

JY-30:T2.5 / JY-30S:T2.3



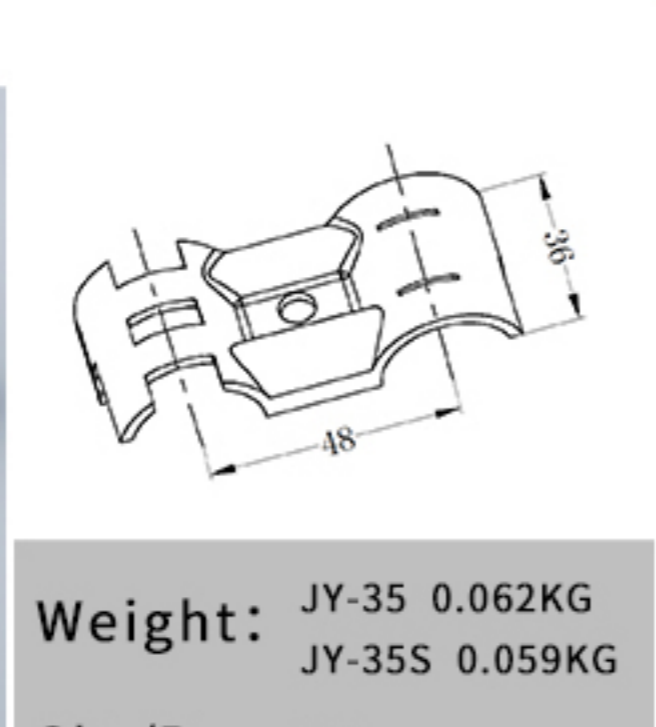
Weight: JY-30 0.129KG
JY-30S 0.128KG
Q'ty/Box : 100 pcs

JY-31:T2.5 / JY-31S:T2.3



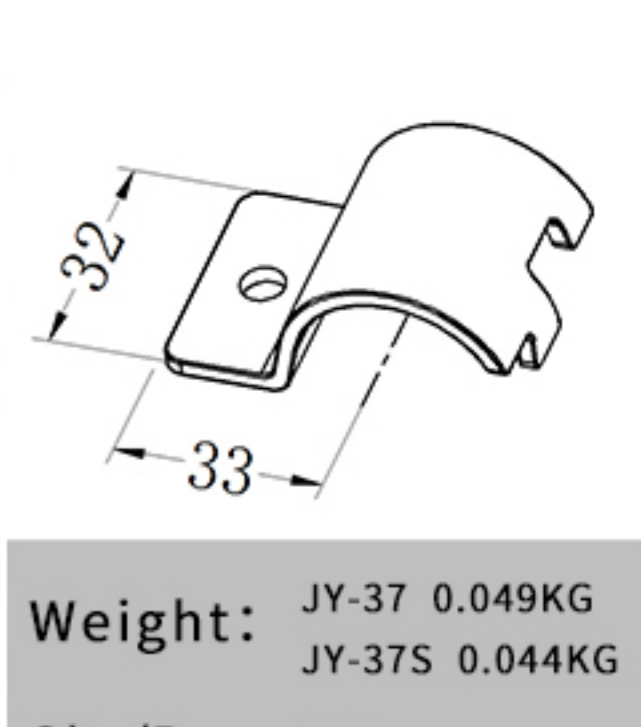
Weight: JY-31 0.070KG
JY-31S 0.067KG
Q'ty/Box : 300 pcs

JY-35:T2.5 / JY-35S:T2.3



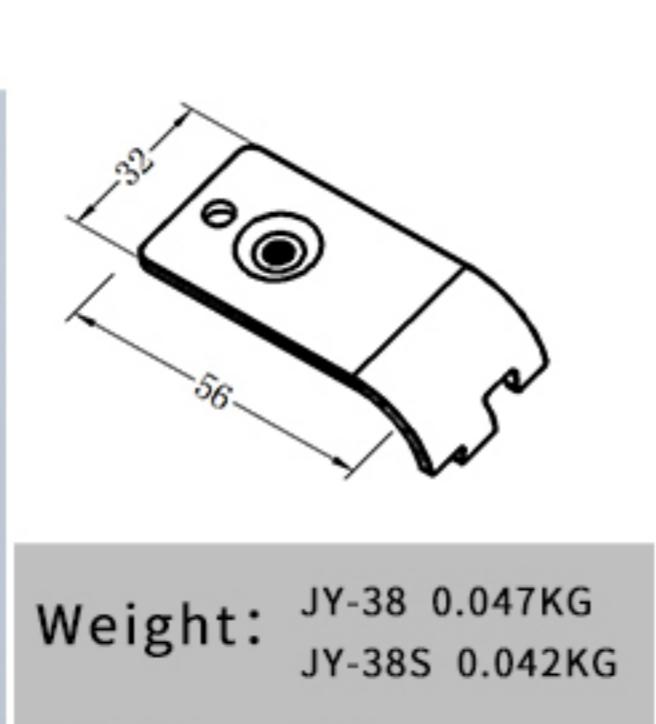
Weight: JY-35 0.062KG
JY-35S 0.059KG
Q'ty/Box : 200 pcs

JY-37:T2.5 / JY-37S:T2.3



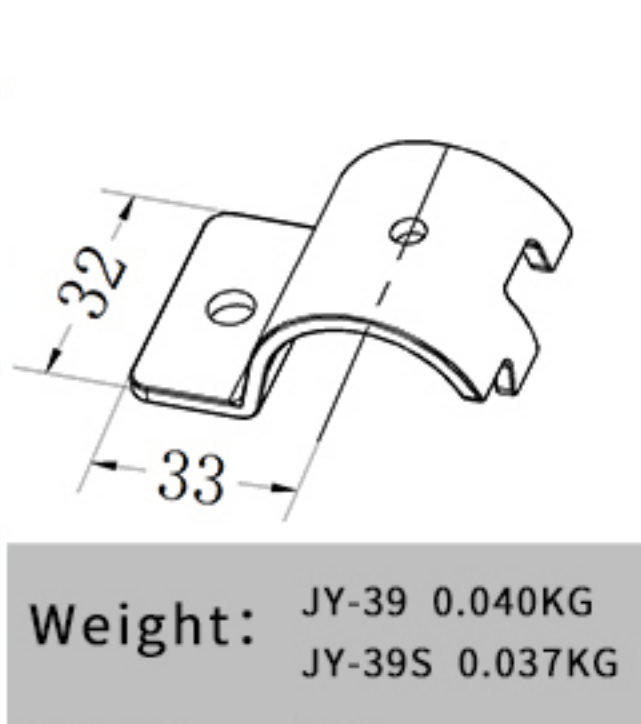
Weight: JY-37 0.049KG
JY-37S 0.044KG
Q'ty/Box : 200 pcs

JY-38:T2.5 / JY-38S:T2.3



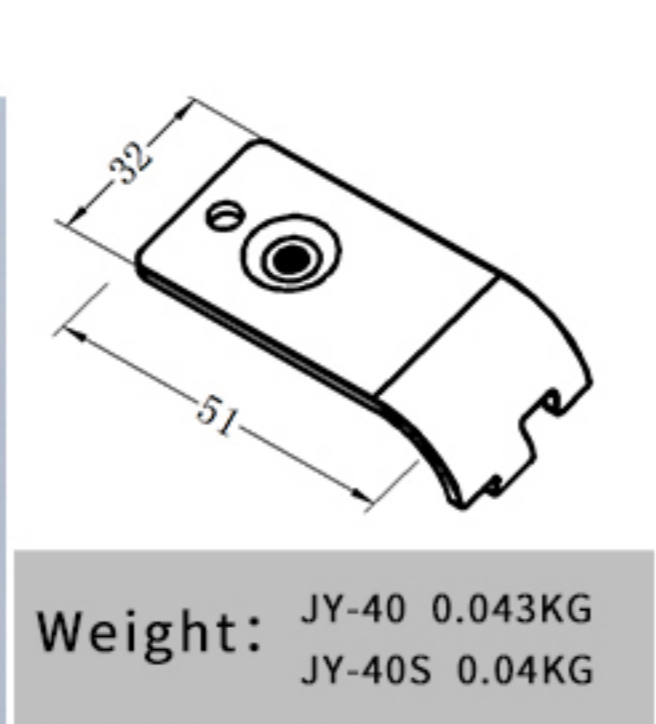
Weight: JY-38 0.047KG
JY-38S 0.042KG
Q'ty/Box : 300 pcs

JY-39:T2.5 / JY-39S:T2.3



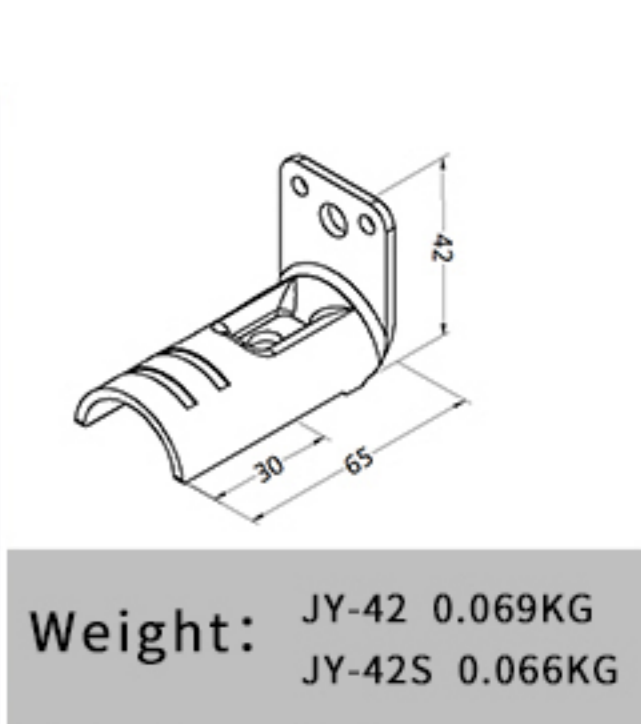
Weight: JY-39 0.040KG
JY-39S 0.037KG
Q'ty/Box : 200 pcs

JY-40:T2.5 / JY-40S:T2.3



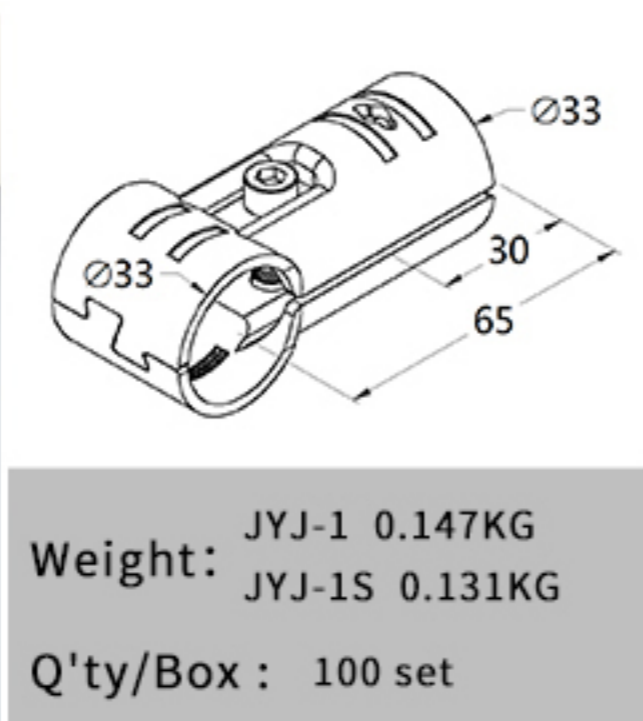
Weight: JY-40 0.043KG
JY-40S 0.04KG
Q'ty/Box : 300 pcs

JY-42:T2.5 / JY-42S:T2.3



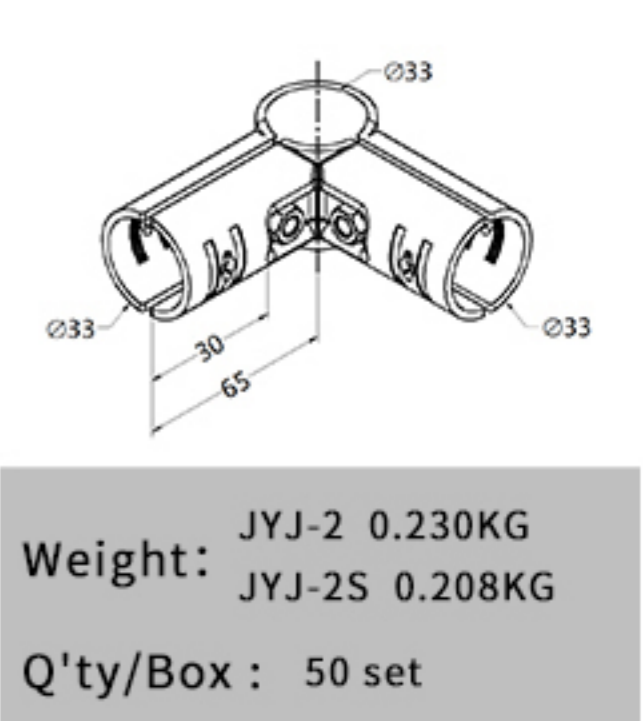
Weight: JY-42 0.069KG
JY-42S 0.066KG
Q'ty/Box : 200 pcs

JYJ-1:T2.5 / JYJ-1S:T2.3



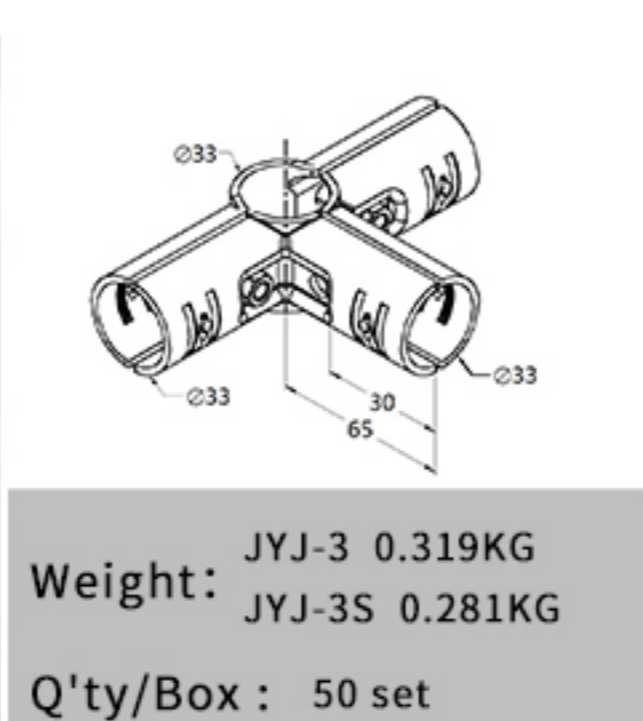
Weight: JYJ-1 0.147KG
JYJ-1S 0.131KG
Q'ty/Box : 100 set

JYJ-2:T2.5 / JYJ-2S:T2.3



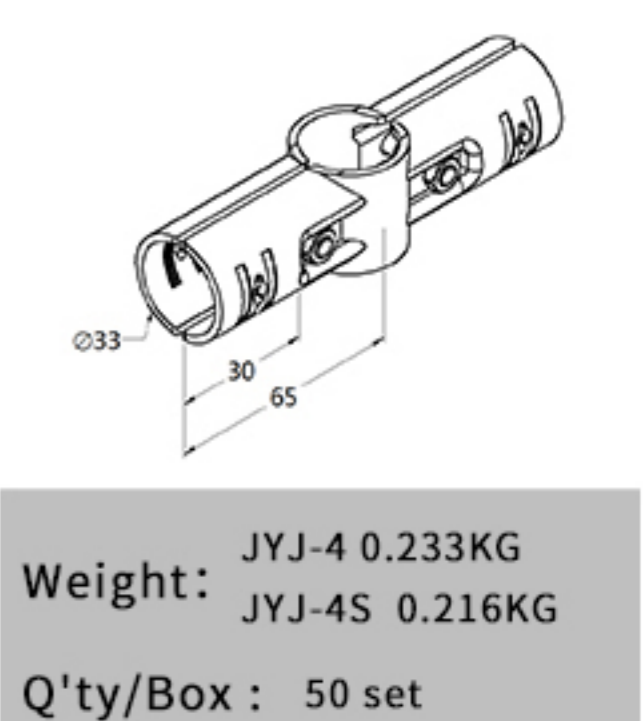
Weight: JYJ-2 0.230KG
JYJ-2S 0.208KG
Q'ty/Box : 50 set

JYJ-3:T2.5 / JYJ-3S:T2.3



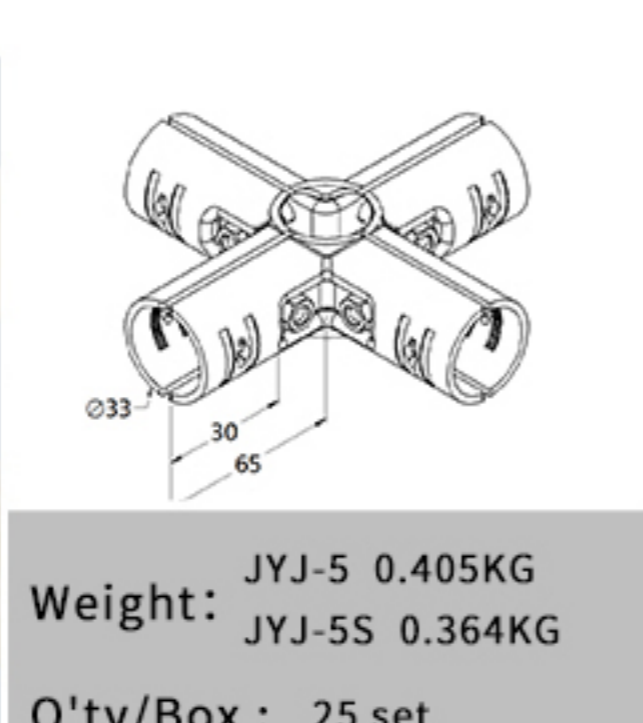
Weight: JYJ-3 0.319KG
JYJ-3S 0.281KG
Q'ty/Box : 50 set

JYJ-4:T2.5 / JYJ-4S:T2.3



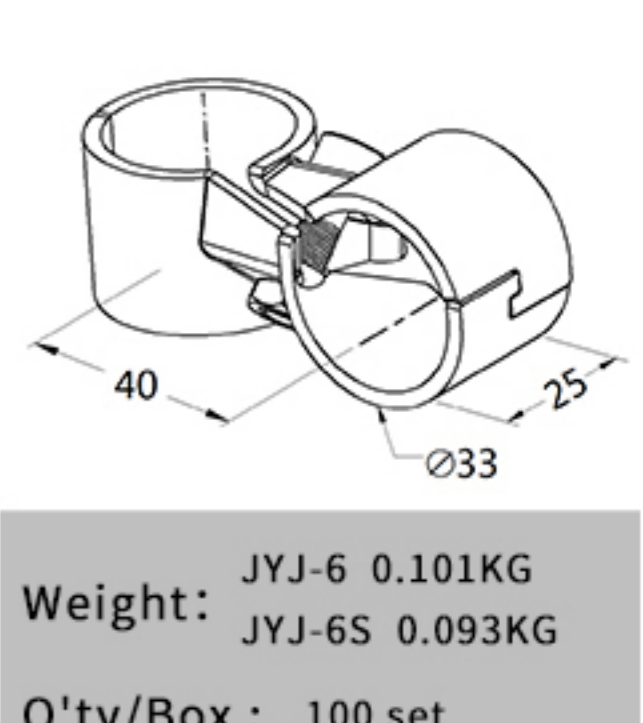
Weight: JYJ-4 0.233KG
JYJ-4S 0.216KG
Q'ty/Box : 50 set

JYJ-5:T2.5 / JYJ-5S:T2.3



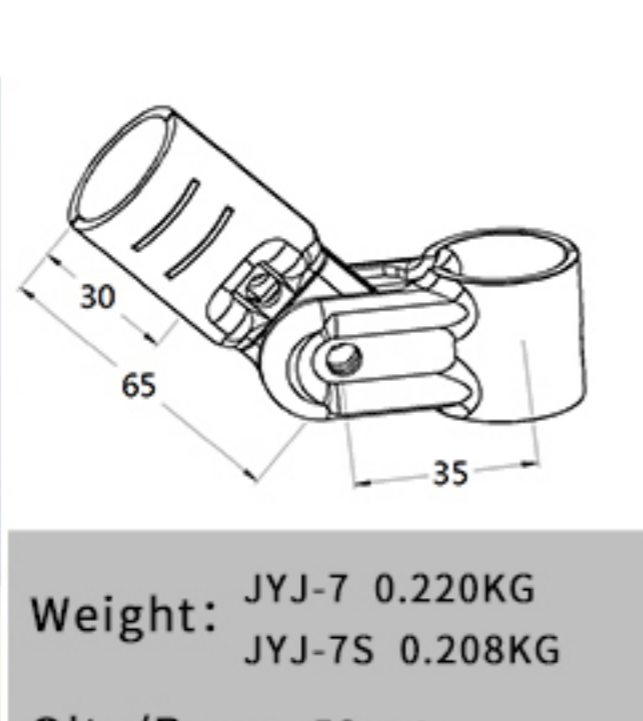
Weight: JYJ-5 0.405KG
JYJ-5S 0.364KG
Q'ty/Box : 25 set

JYJ-6:T2.5 / JYJ-6S:T2.3



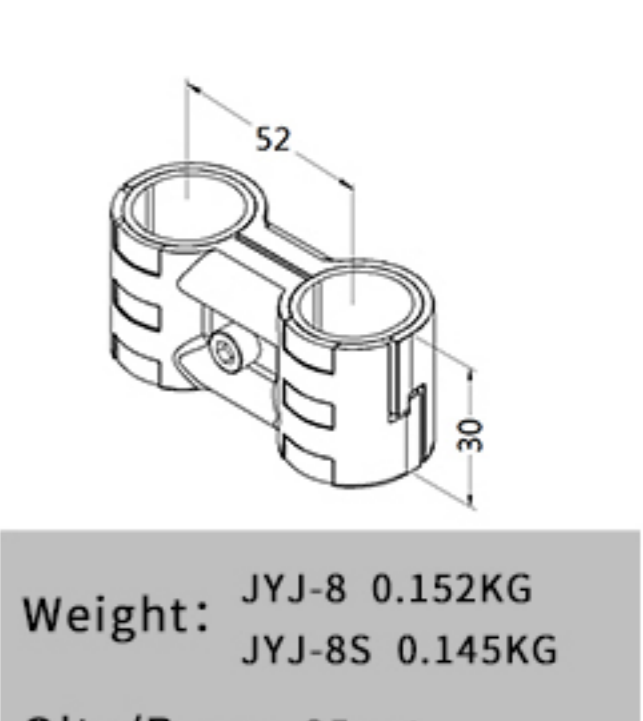
Weight: JYJ-6 0.101KG
JYJ-6S 0.093KG
Q'ty/Box : 100 set

JYJ-7:T2.5 / JYJ-7S:T2.3



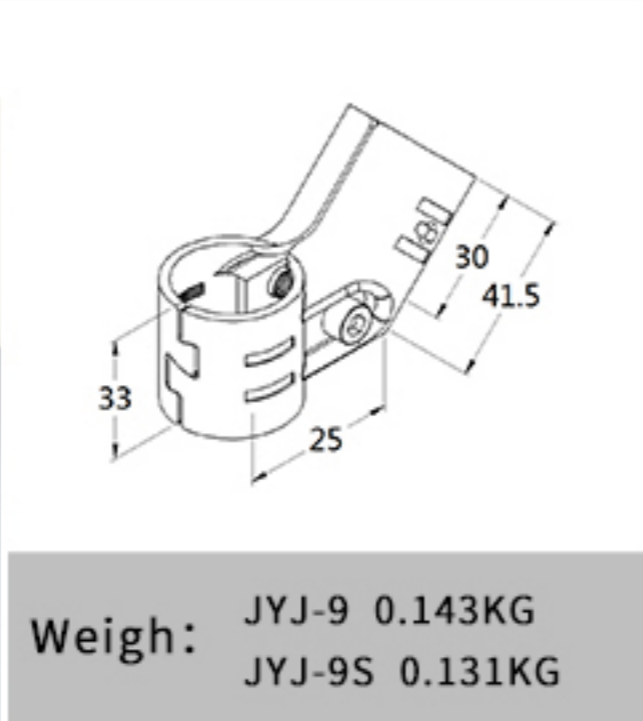
Weight: JYJ-7 0.220KG
JYJ-7S 0.208KG
Q'ty/Box : 50 set

JYJ-8:T2.5 / JYJ-8S:T2.3



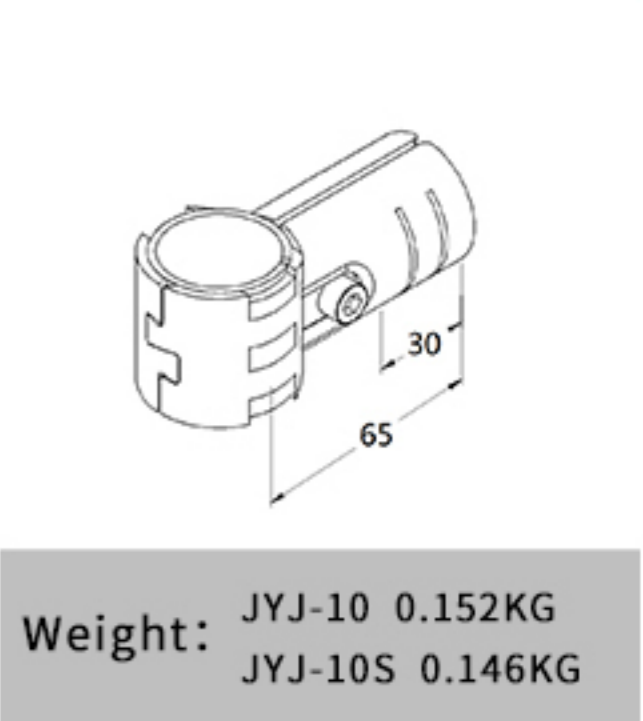
Weight: JYJ-8 0.152KG
JYJ-8S 0.145KG
Q'ty/Box : 25 set

JYJ-9:T2.5 / JYJ-9S:T2.3



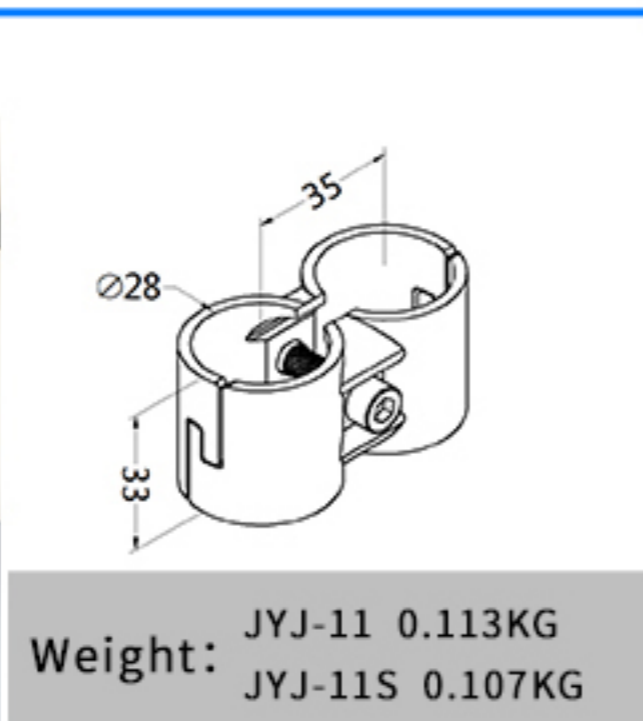
Weight: JYJ-9 0.143KG
JYJ-9S 0.131KG
Q'ty/Box : 100 set

JYJ-10:T2.5 / JYJ-10S:T2.3



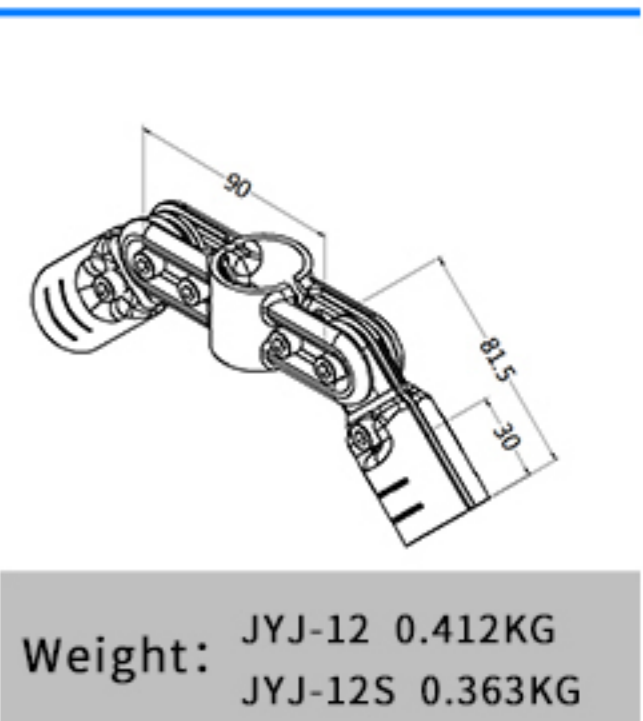
Weight: JYJ-10 0.152KG
JYJ-10S 0.146KG
Q'ty/Box : 50 set

JYJ-11:T2.5 / JYJ-11S:T2.3



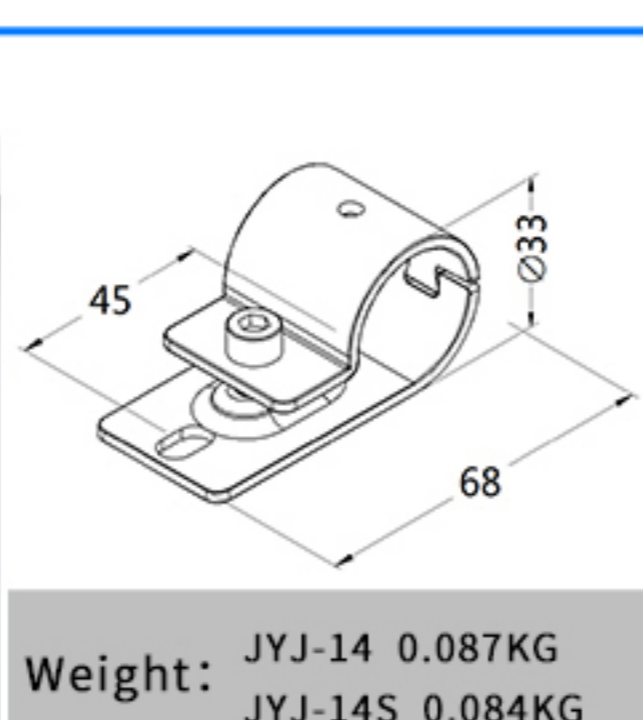
Weight: JYJ-11 0.113KG
JYJ-11S 0.107KG
Q'ty/Box : 100 set

JYJ-12:T2.5 / JYJ-12S:T2.3



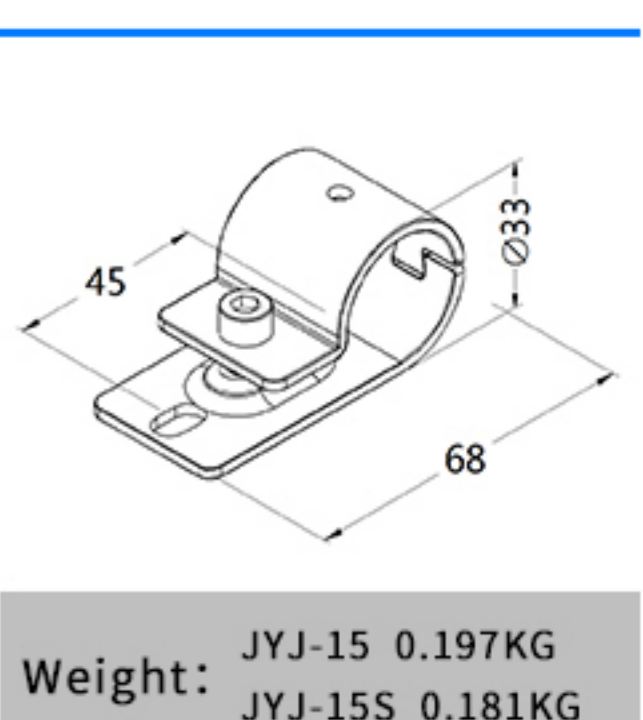
Weight: JYJ-12 0.412KG
JYJ-12S 0.363KG
Q'ty/Box : 25 set

JYJ-14:T2.5 / JYJ-14S:T2.3



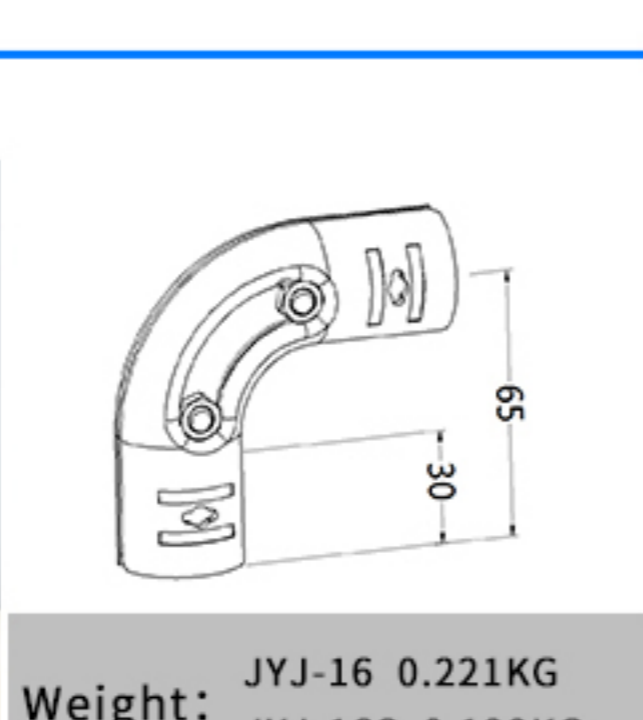
Weight: JYJ-14 0.087KG
JYJ-14S 0.084KG
Q'ty/Box : 100 set

JYJ-15:T2.5 / JYJ-15S:T2.3



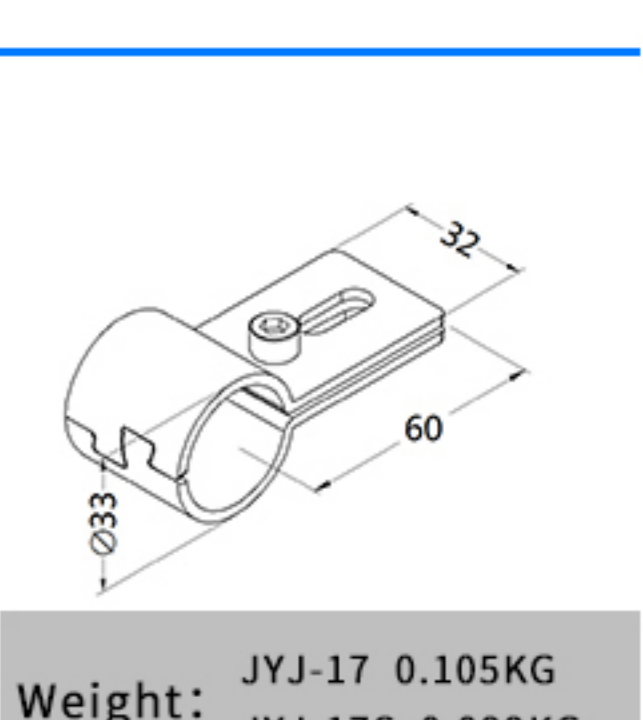
Weight: JYJ-15 0.197KG
JYJ-15S 0.181KG
Q'ty/Box : 50 set

JYJ-16:T2.5 / JYJ-16S:T2.3



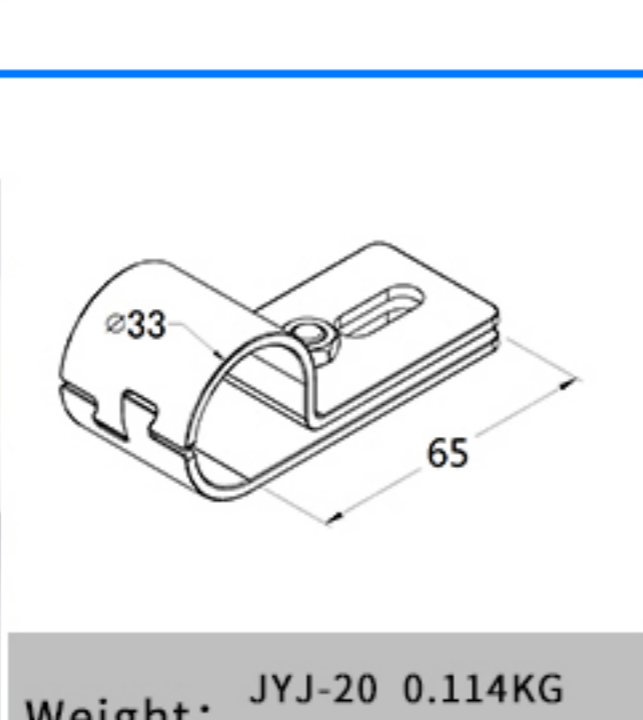
Weight: JYJ-16 0.221KG
JYJ-16S 0.198KG
Q'ty/Box : 50 set

JYJ-17:T2.5 / JYJ-17S:T2.3



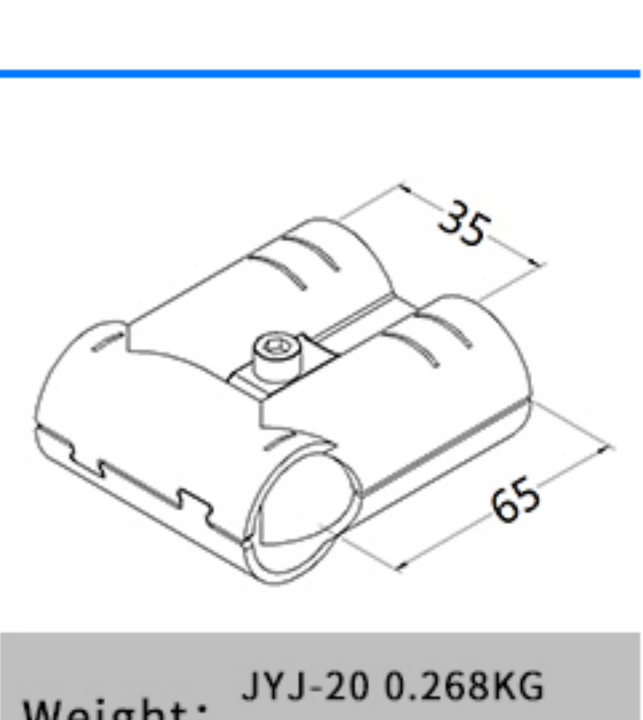
Weight: JYJ-17 0.105KG
JYJ-17S 0.099KG
Q'ty/Box : 100 set

JYJ-19:T2.5 / JYJ-19S:T2.3



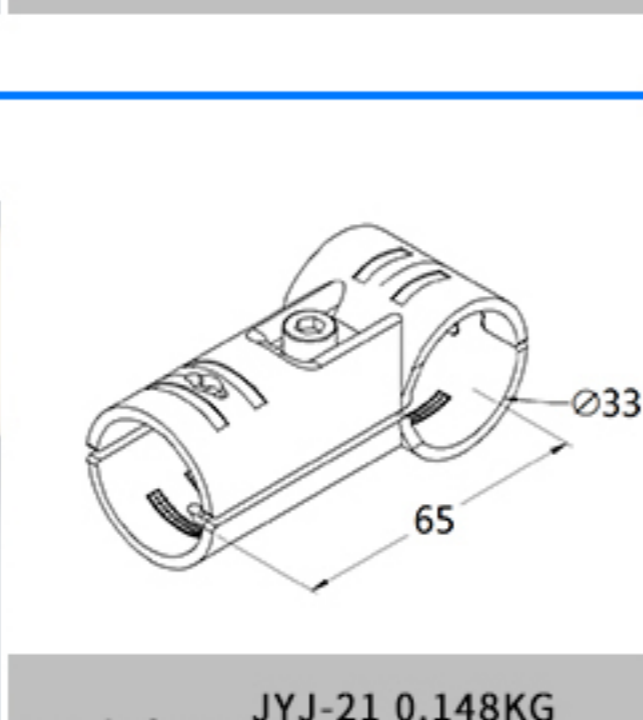
Weight: JYJ-19 0.114KG
JYJ-19S 0.11KG
Q'ty/Box : 100 set

JYJ-20:T2.5 / JYJ-20S:T2.3



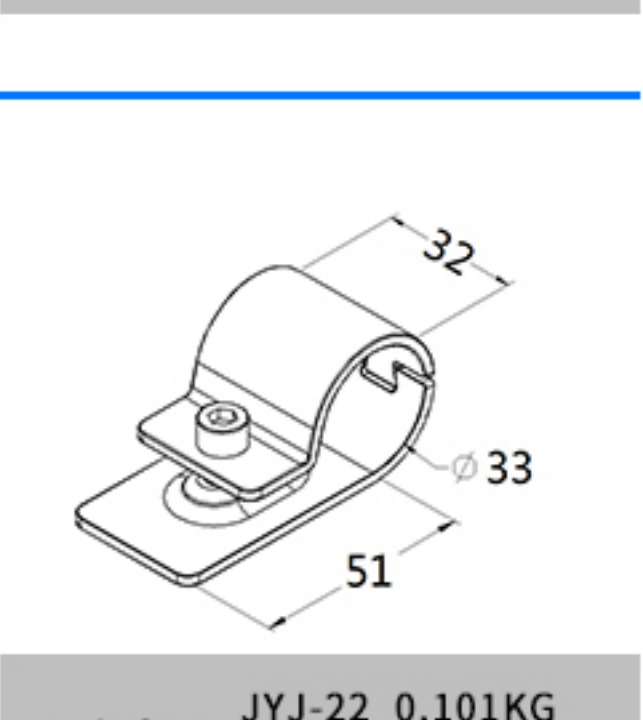
Weight: JYJ-20 0.268KG
JYJ-20S 0.265KG
Q'ty/Box : 50 set

JYJ-21:T2.5 / JYJ-21S:T2.3



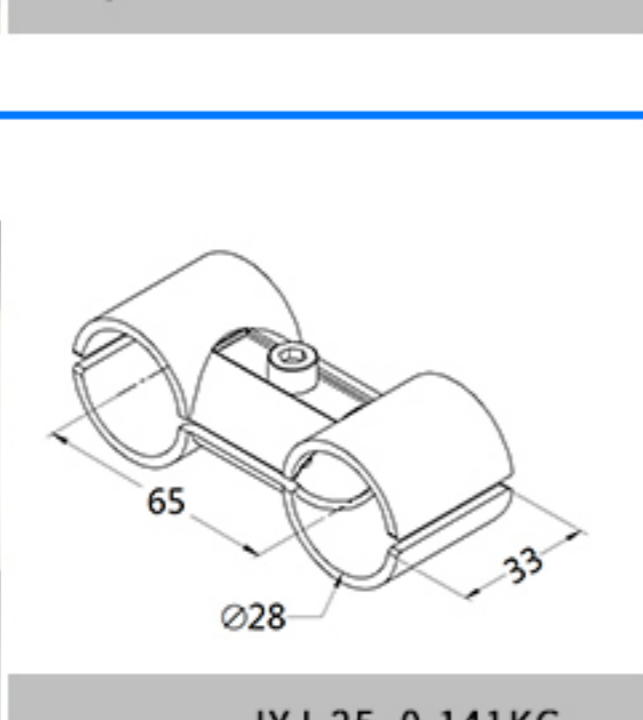
Weight: JYJ-21 0.148KG
JYJ-21S 0.143KG
Q'ty/Box : 50 set

JYJ-22:T2.5 / JYJ-22S:T2.3



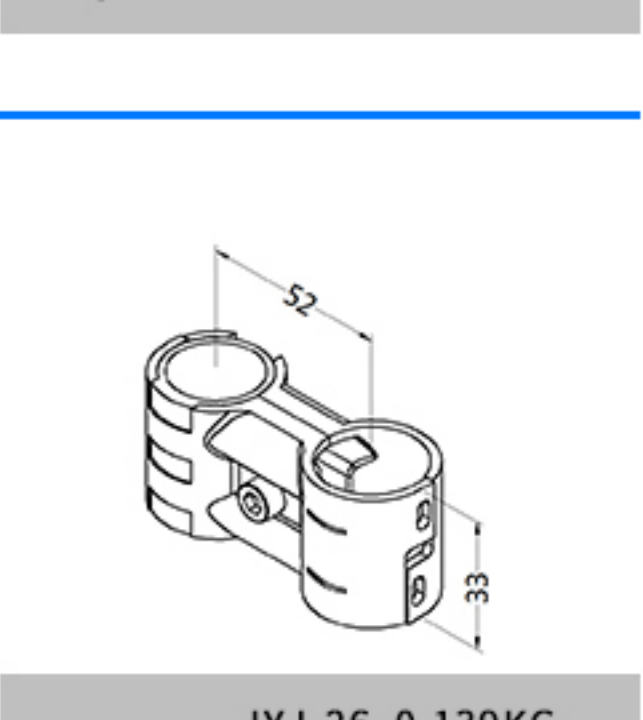
Weight: JYJ-22 0.101KG
JYJ-22S 0.095KG
Q'ty/Box : 100 set

JYJ-25:T2.5 / JYJ-25S:T2.3



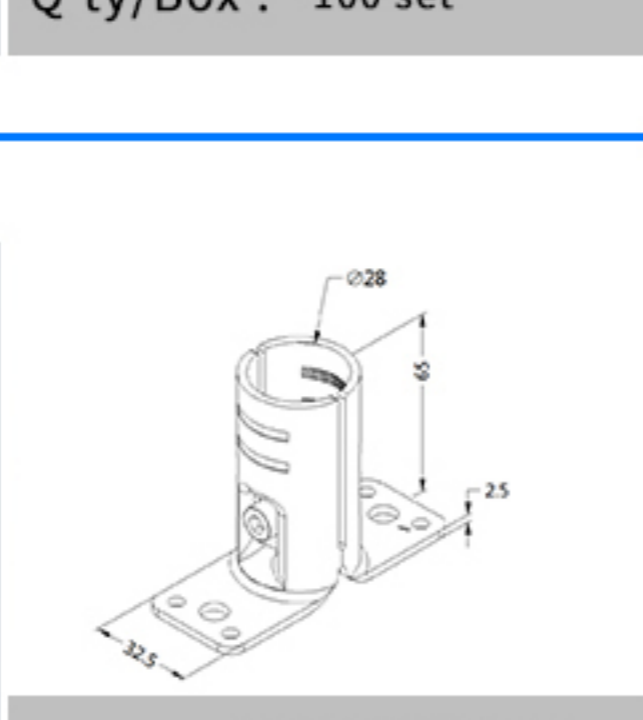
Weight: JYJ-25 0.141KG
JYJ-25S 0.133KG
Q'ty/Box : 100 set

JYJ-26:T2.5 / JYJ-26S:T2.3



Weight: JYJ-26 0.139KG
JYJ-26S 0.136KG
Q'ty/Box : 50 set

JYJ-27:T2.5 / JYJ-27S:T2.3

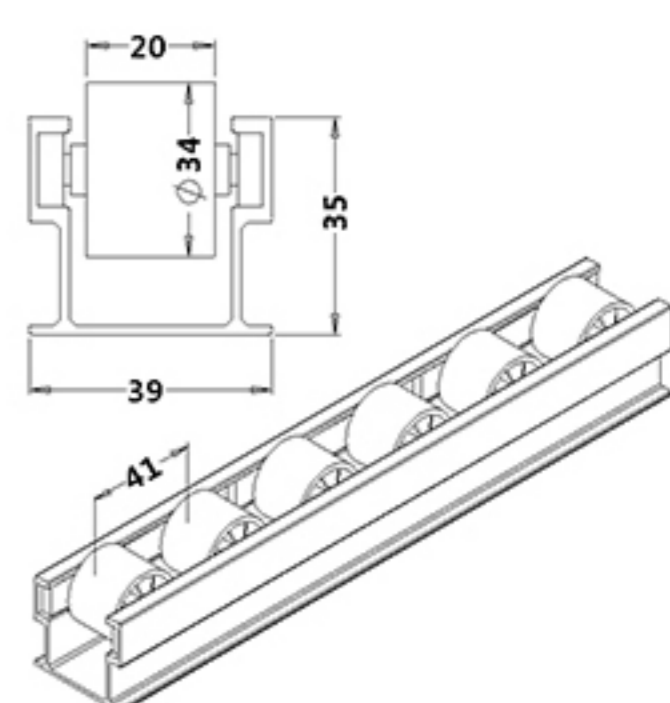


Weight: JYJ-27 0.146KG
JYJ-27S 0.142KG
Q'ty/Box : 100 set

JY-2045/2045A



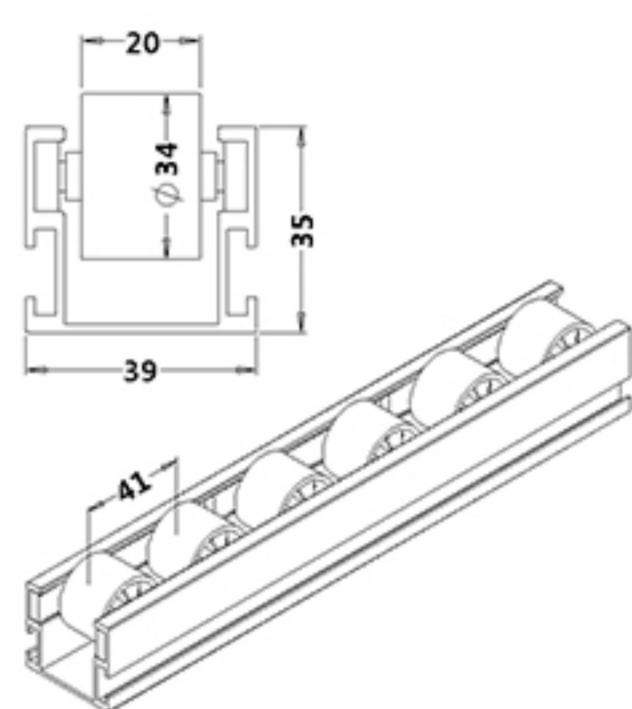
Material	Chute: 6063 aluminum
	Wheel: PP
Color	JY-2045: Black wheel
	JY-2045A: ESD wheel/Yellow/Whit wheel
Packaging	Double PVC plastic bag: 4 pcs



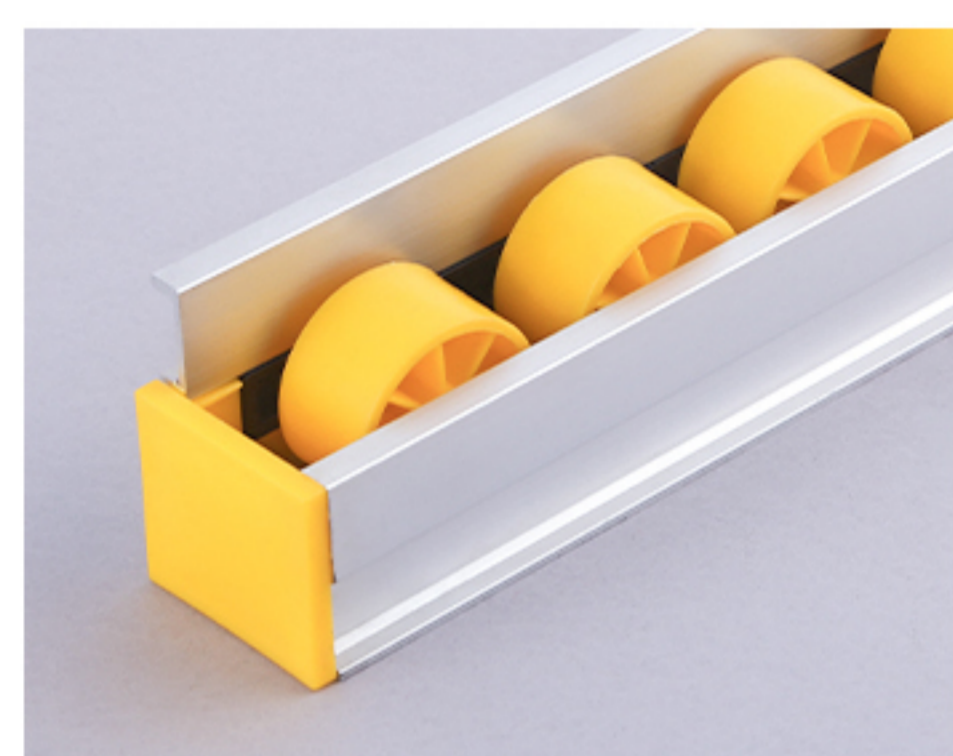
JY-2045B/2045C



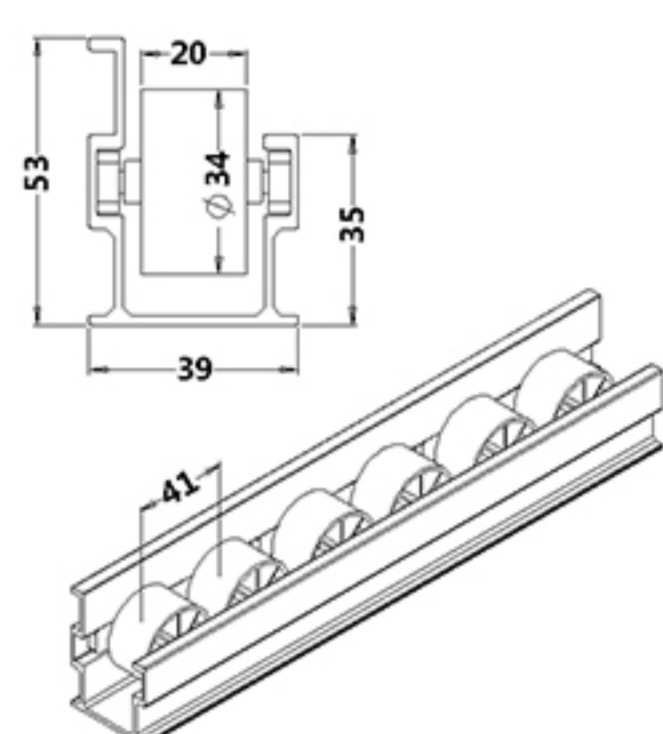
Material	Chute: 6063 aluminum
	Wheel: PP
Color	JY-2045B: Black wheel
	JY-2045C: ESD wheel/Yellow/Whit wheel
Packaging	Double PVC plastic bag: 4 pcs



JY-2045D/2045E



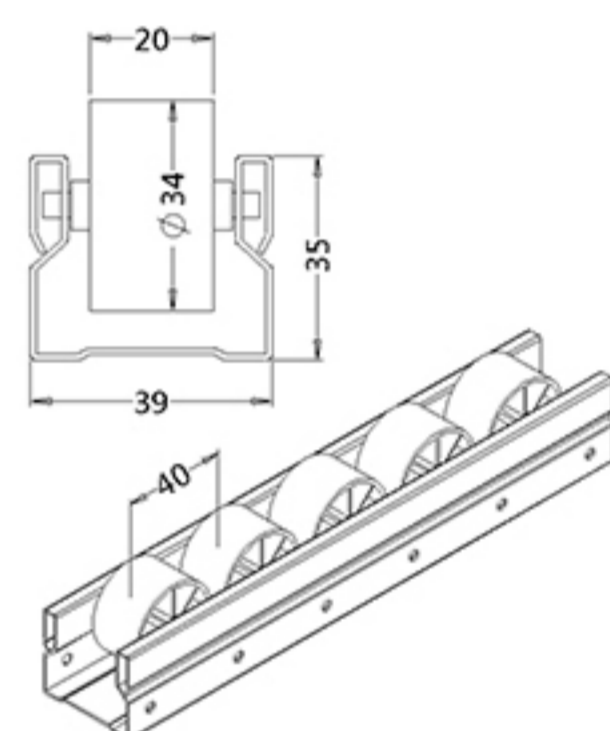
Material	Chute: 6063 aluminum
	Wheel: PP
Color	JY-2045D: Black wheel
	JY-2045E: ESD wheel/Yellow/Whit wheel
Packaging	Double PVC plastic bag: 4 pcs



JY-2046/2046A



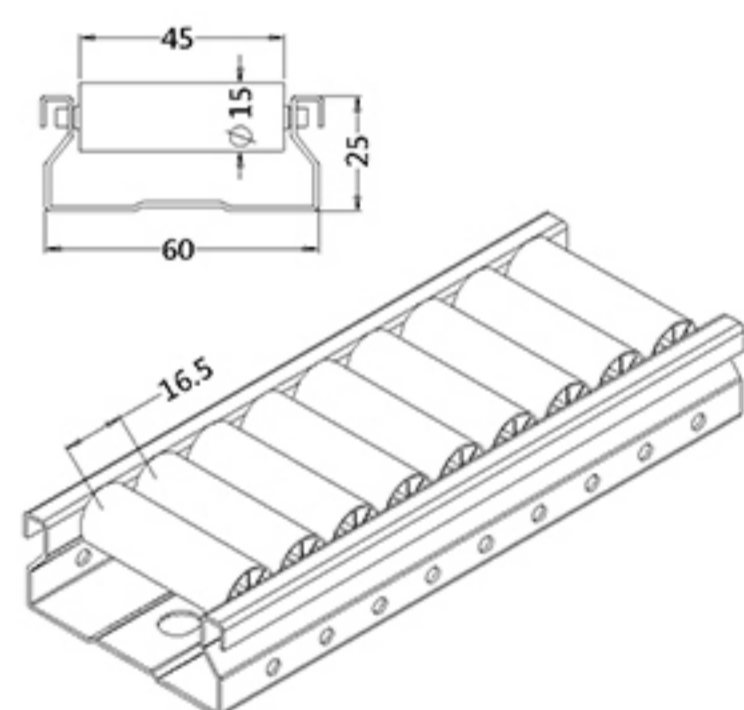
Material	Chute: Galvanized sheet
	Wheel: PP
Color	JY-2046: Black wheel
	JY-2046A: ESD wheel/Yellow/Whit wheel
Packaging	Double PVC plastic bag: 4 pcs



JY-2046D/2046E



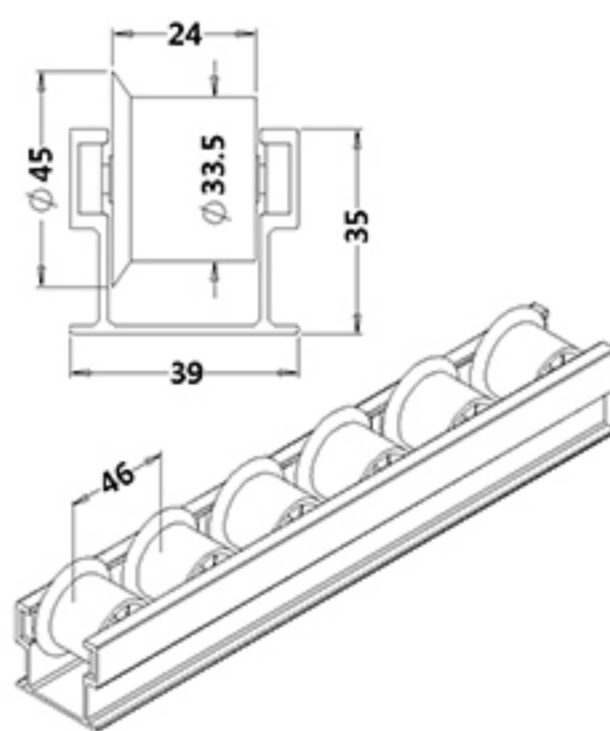
Material	Chute: Galvanized sheet
	Wheel: PP
Color	JY-2046D: Black wheel
	JY-2046E: ESD wheel/Yellow/Whit wheel
Packaging	Double PVC plastic bag: 4 pcs



JY-2049/2049A



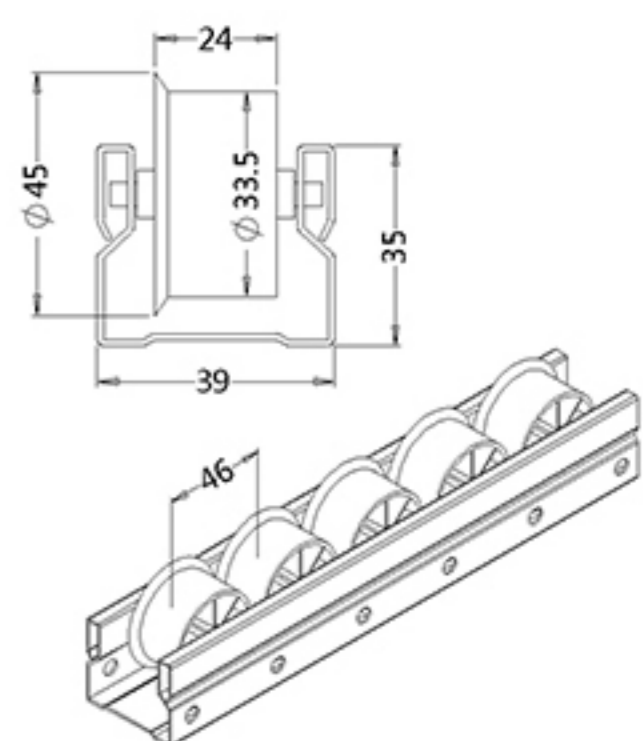
Material	Chute: 6063 aluminum
	Wheel: PP
Color	JY-2049: Black wheel
	JY-2049A: ESD wheel/Yellow/Whit wheel
Packaging	Double PVC plastic bag: 4 pcs



JY-2049B/2049C



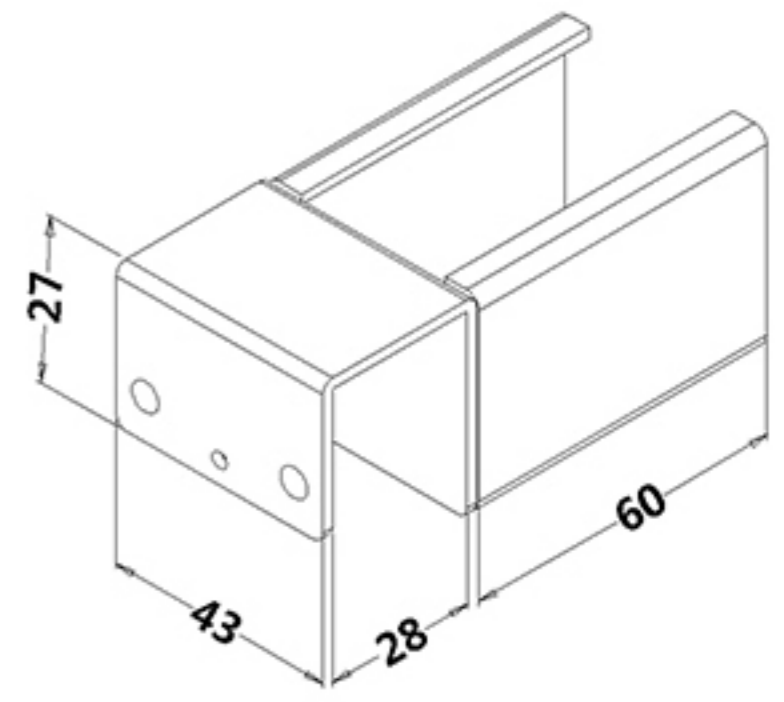
Material	Chute: Galvanized sheet
	Wheel: PP
Color	JY-2049B: Black wheel
	JY-2049C: ESD wheel/Yellow/Whit wheel
Packaging	Double PVC plastic bag: 4 pcs



JY-2044C



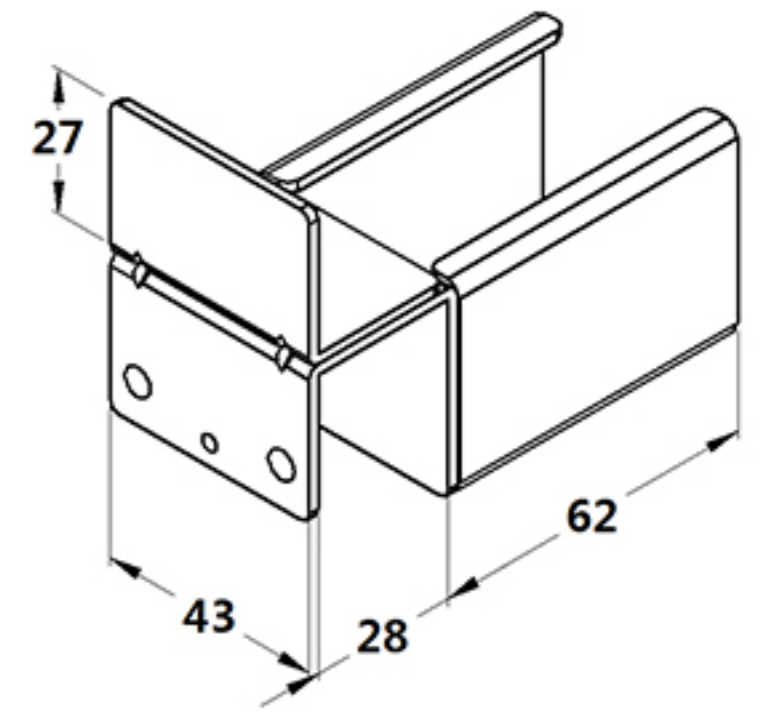
Material	SPCC
Unit weight	0.197 kg
Packaging	50 pcs



JY-2044D



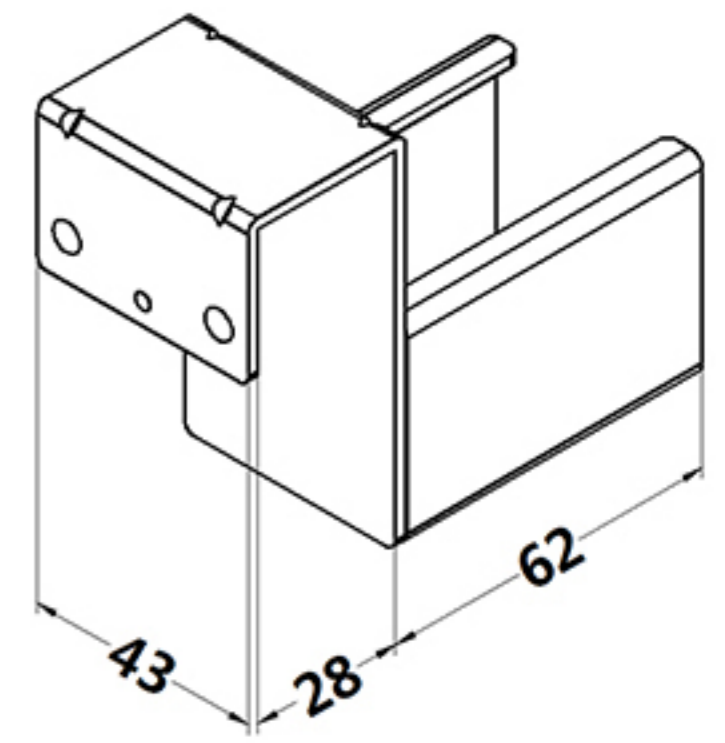
Material	SPCC
Unit weight	0.238 kg
Packaging	50 pcs



JY-2044DW



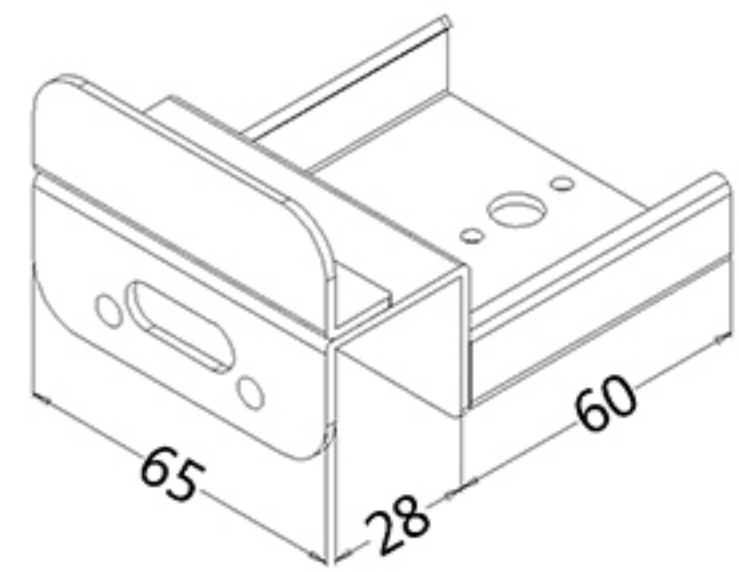
Material	SPCC
Unit weight	0.235 kg
Packaging	50 pcs



JY-2044BD-60



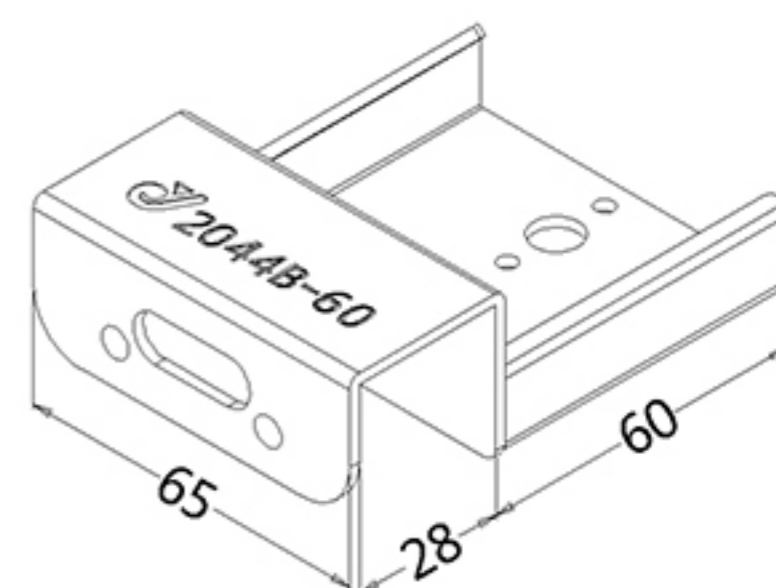
Material	SPCC
Unit weight	0.212 kg
Packaging	50 pcs



JY-2044B-60



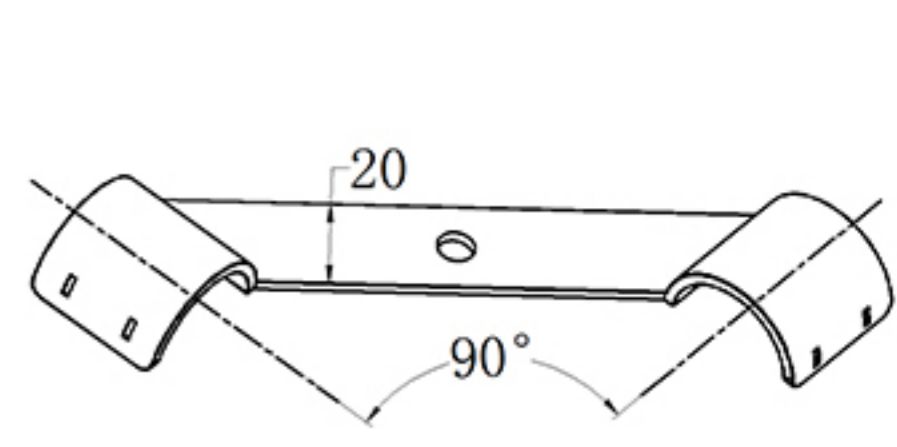
Material	SPCC
Unit weight	0.182 kg
Packaging	50 pcs



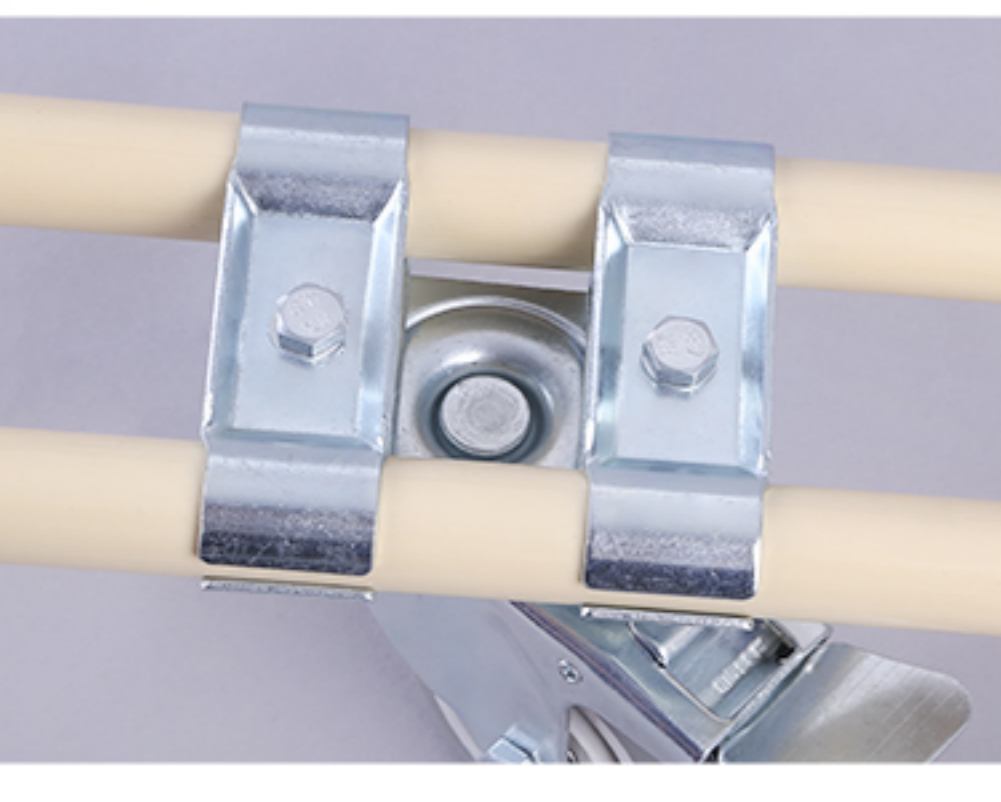
JY-20



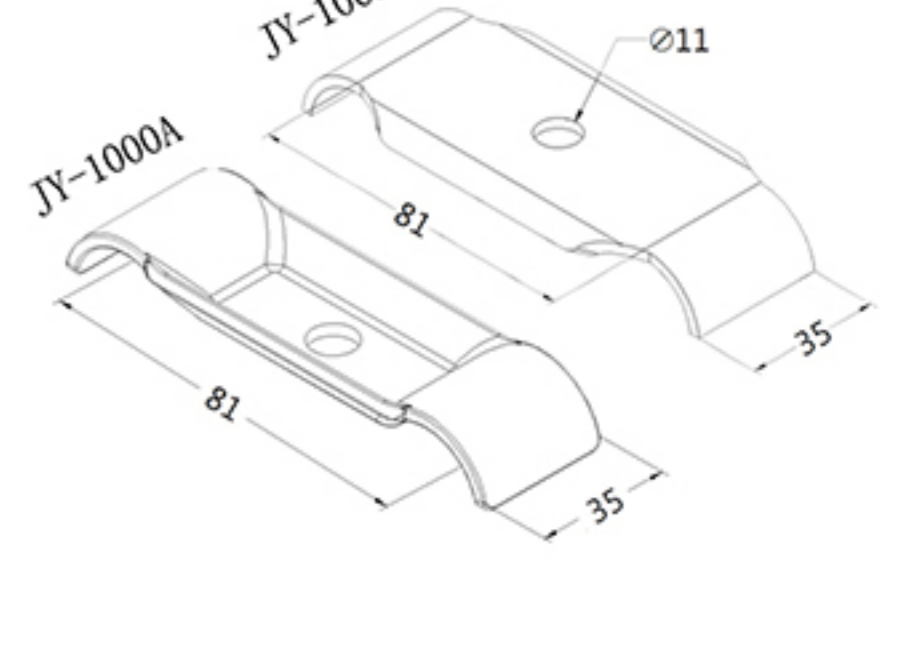
Material	SPCC
Weight	0.077 kg
Packaging	100 pcs



JY-1000A+JY-1002F



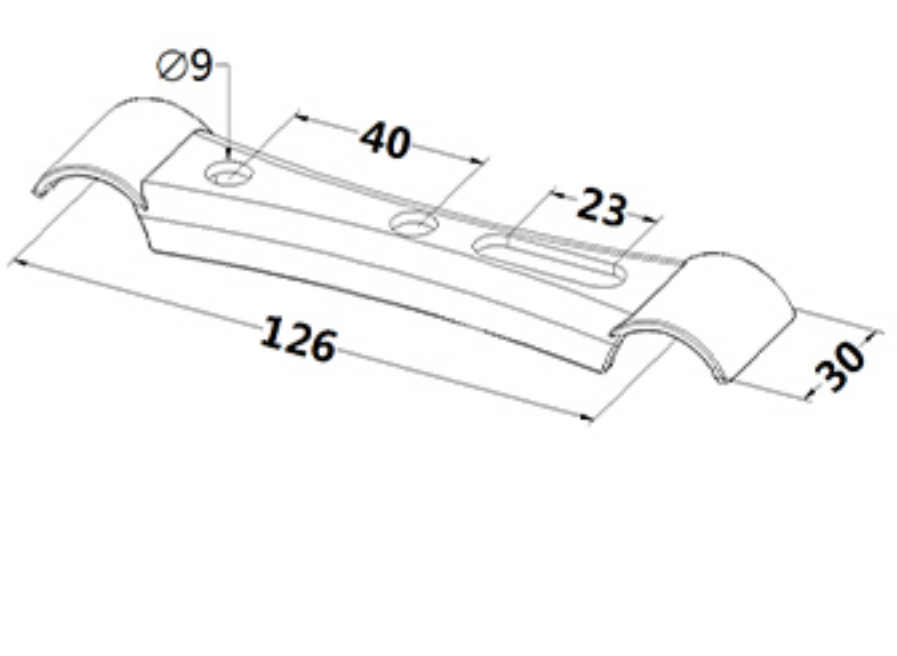
Material	SPCC	
Weight	JY-1000A	0.087/kg
	JY-1002F	0.092/kg
Packaging	100 set	



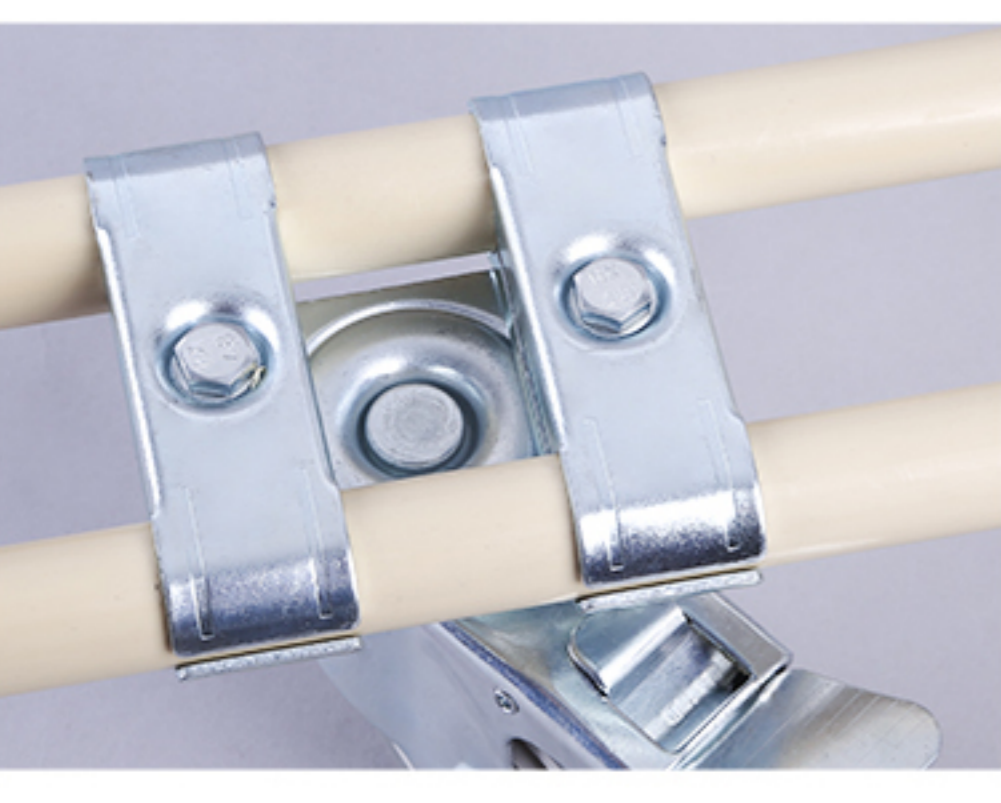
JY-1000B



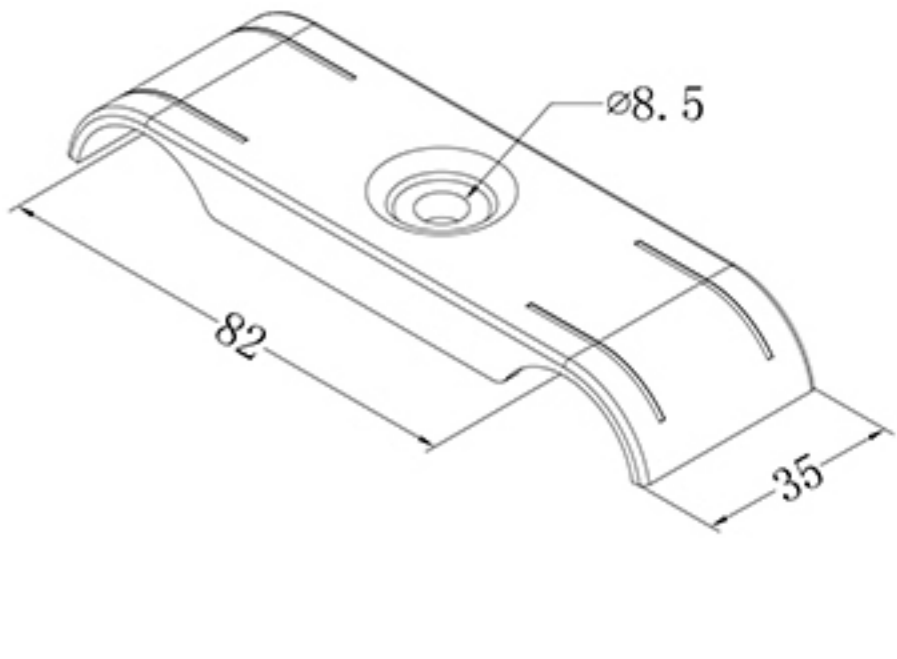
Material	SPCC
Weight	0.109 kg
Packaging	100 set



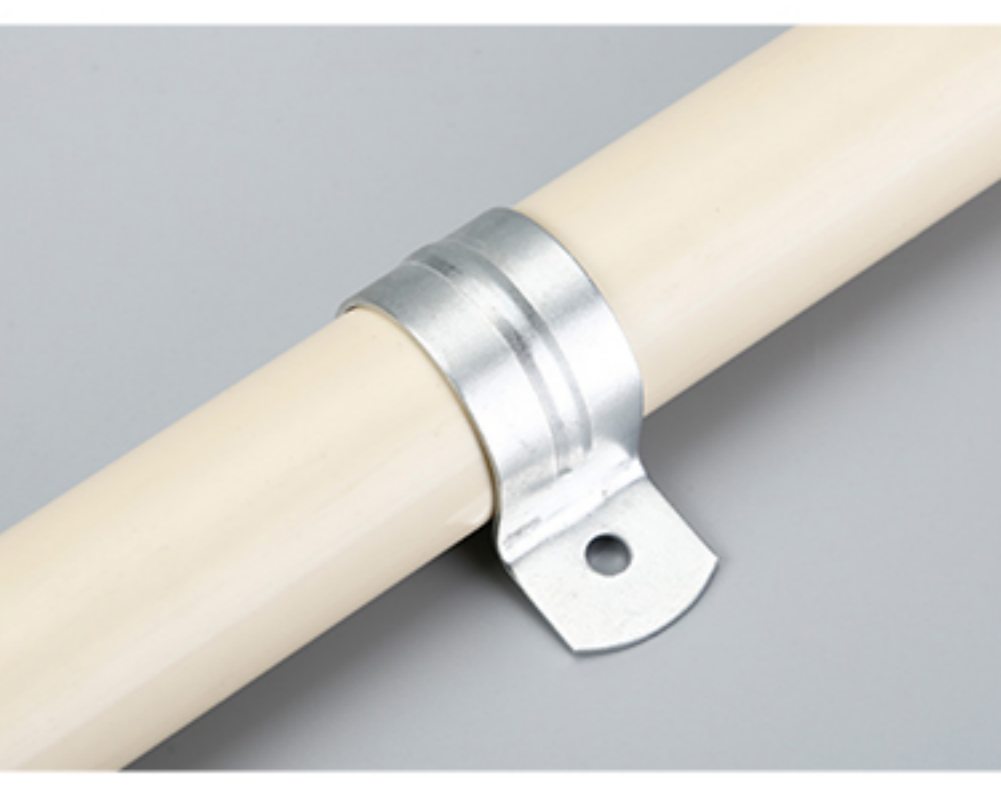
JY-1000C



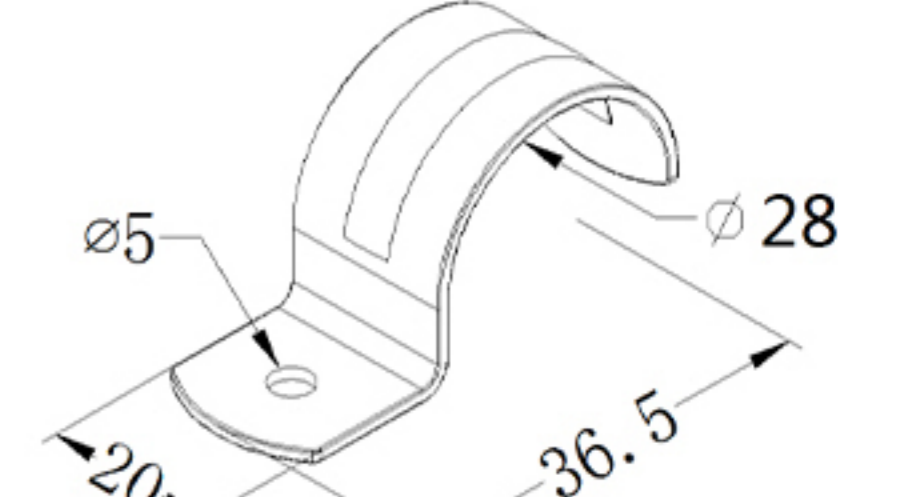
Material	SPCC
Weight	0.11 kg
Packaging	50 set



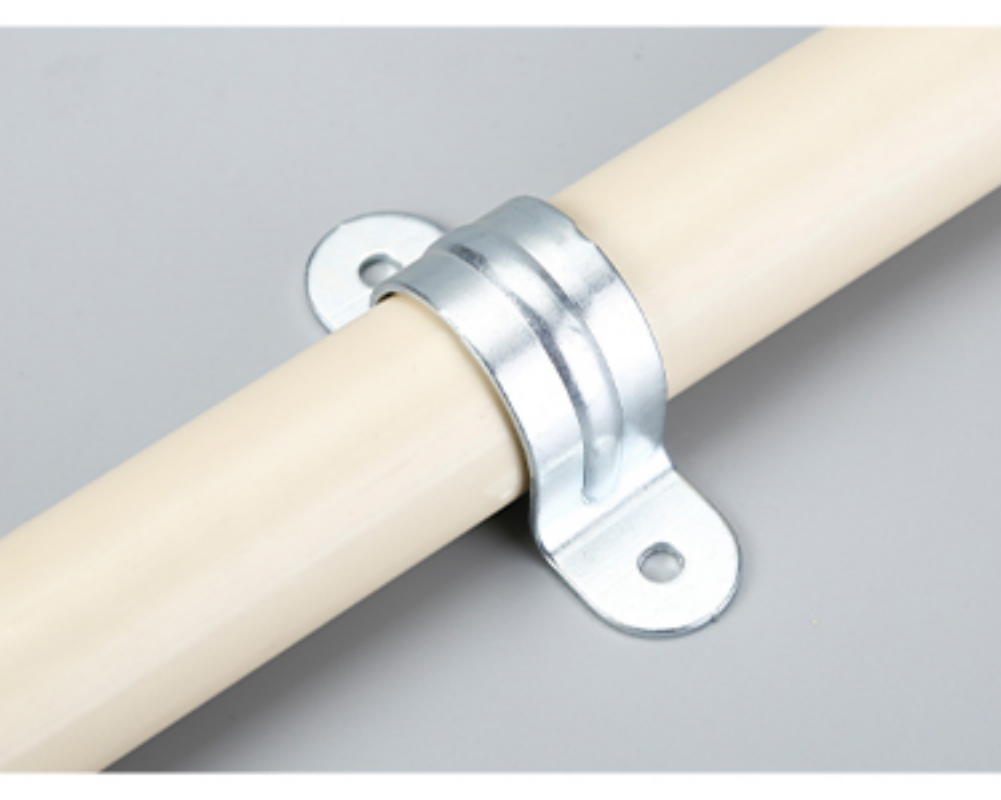
JY-1008A



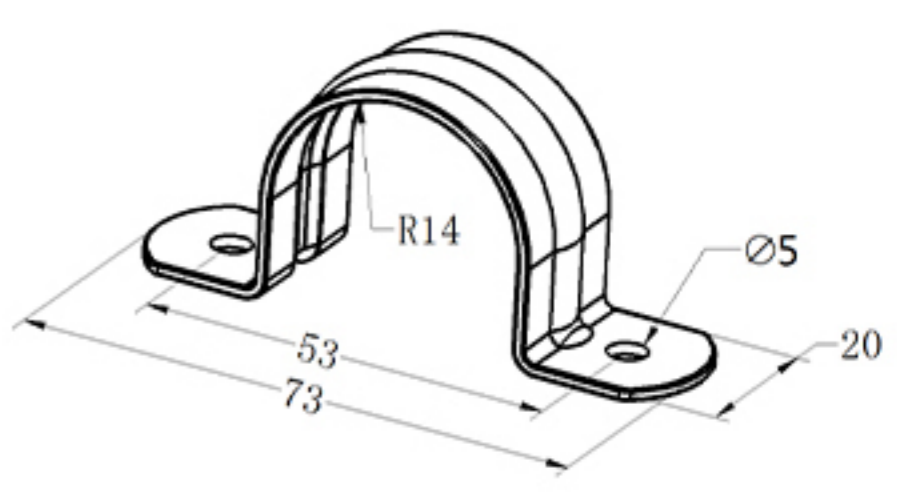
Material	SPCC
Weight	0.018 kg
Packaging	1000 pcs



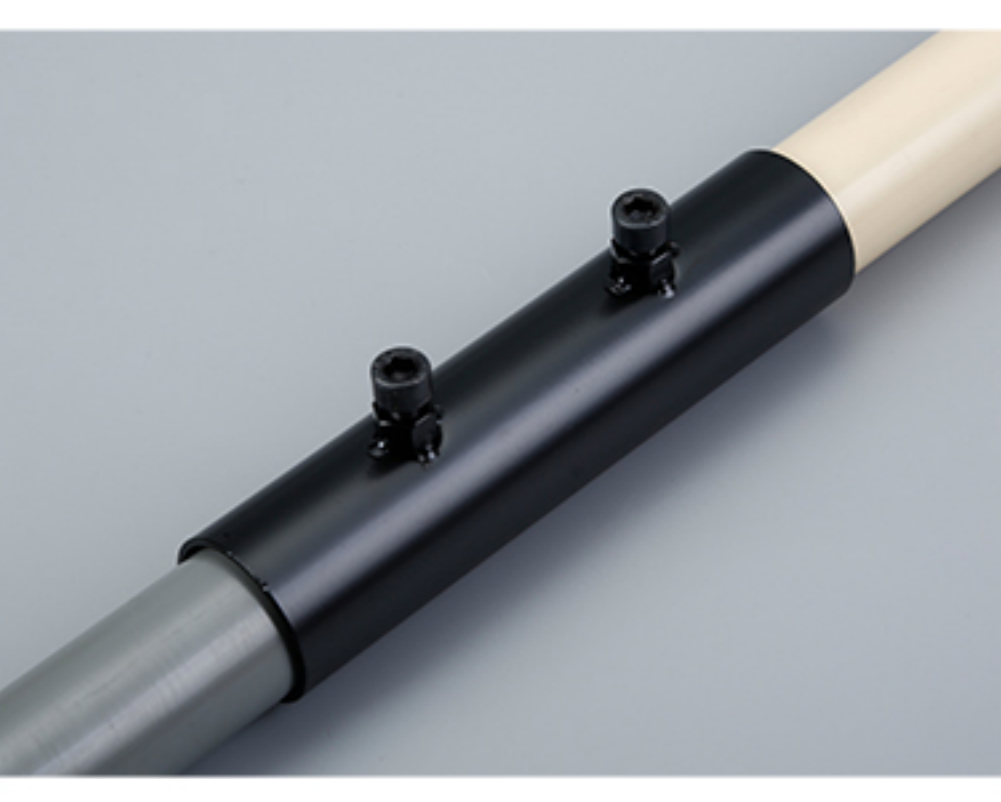
JY-1009B



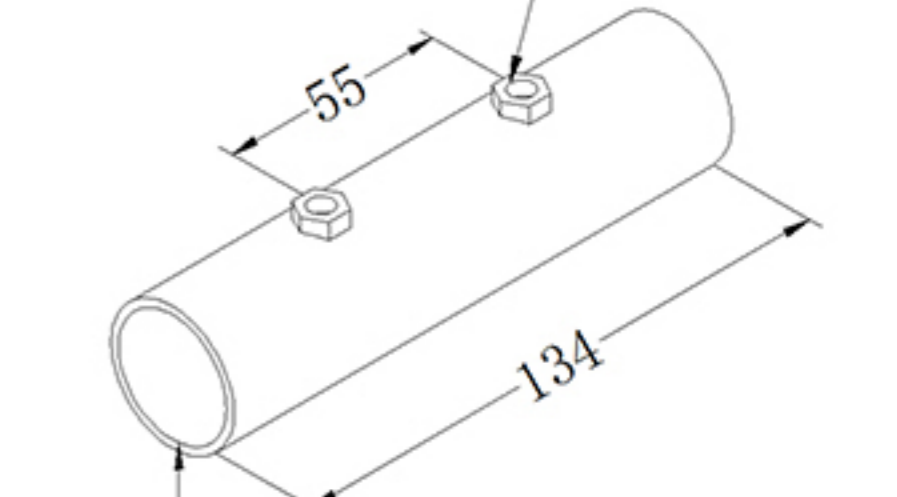
Material	SPCC
Weight	0.023 kg
Packaging	500 pcs



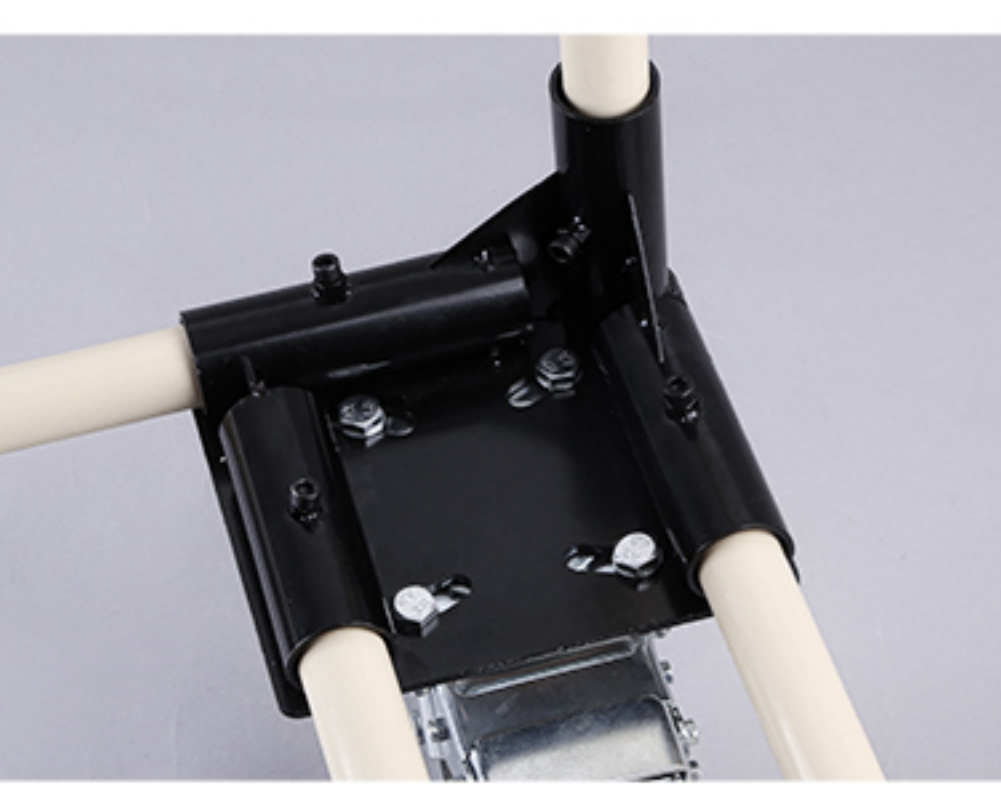
JY-1200H



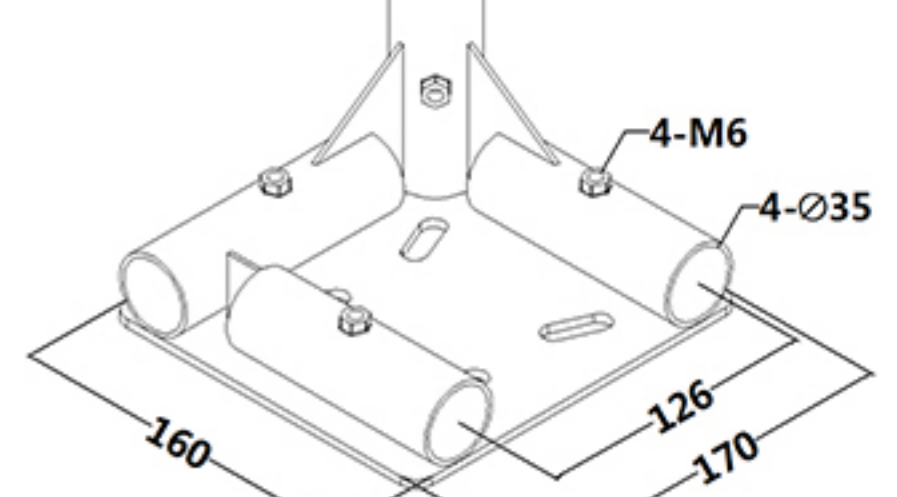
Material	SPCC
Weight	0.134 kg
Packaging	50 pcs



JY-1002L



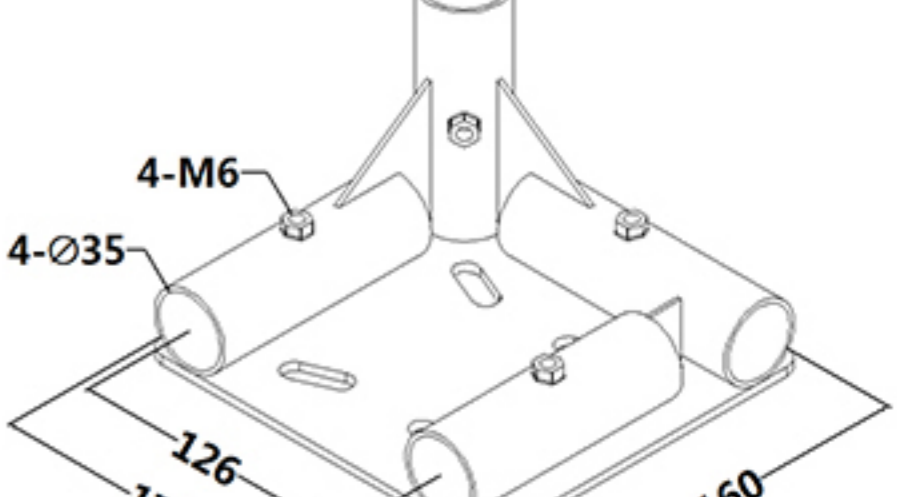
Material	SPCC
Weight	1.56 kg
Packaging	8 pcs



JY-1002R



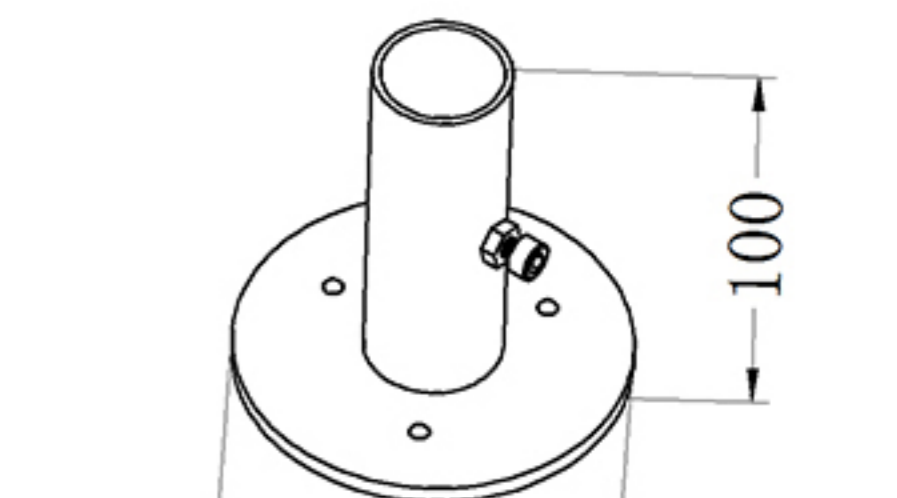
Material	SPCC
Weight	1.56 kg
Packaging	8 pcs



JY-1200T



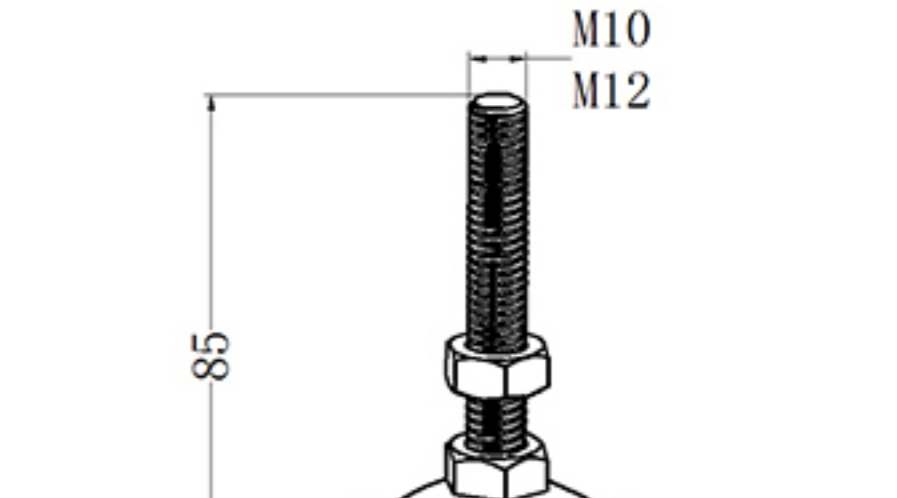
Material	SPCC
Weight	0.354 kg
Packaging	25 pcs



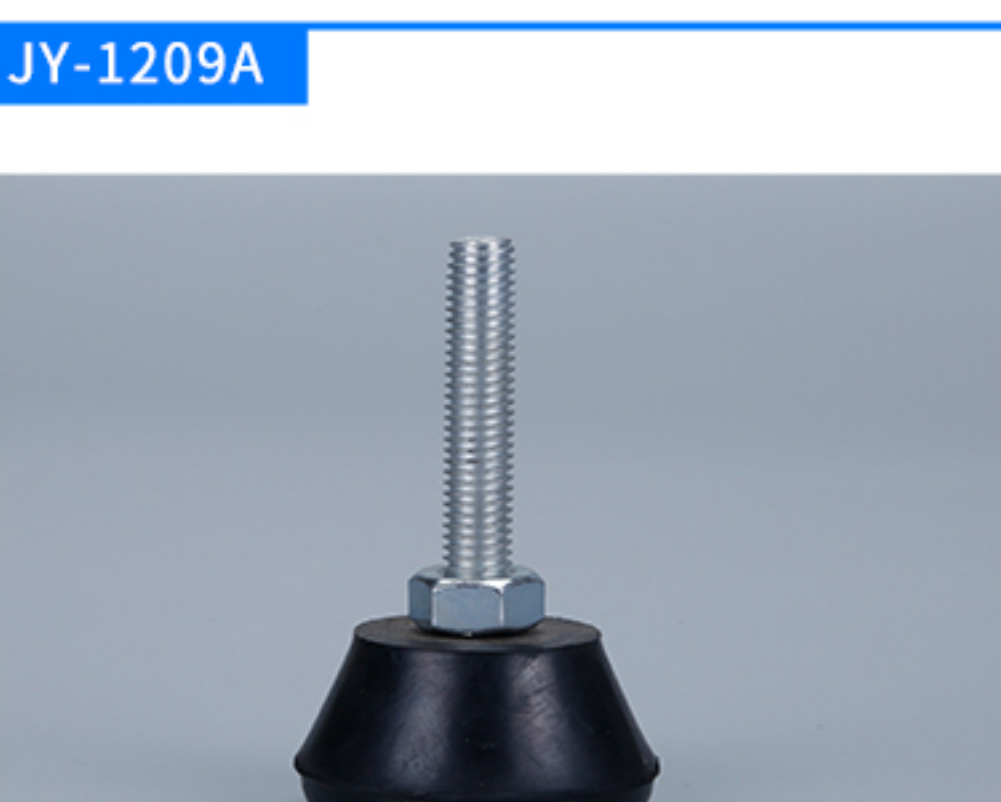
JY-1209-50



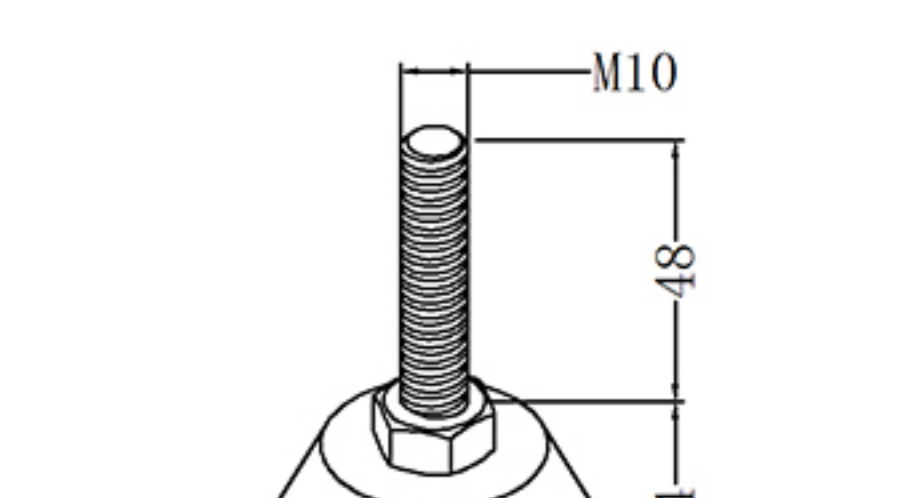
Material	SPCC
Weight	M10: 0.065 kg
	M12: 0.114 kg
Packaging	100 pcs



JY-1209A



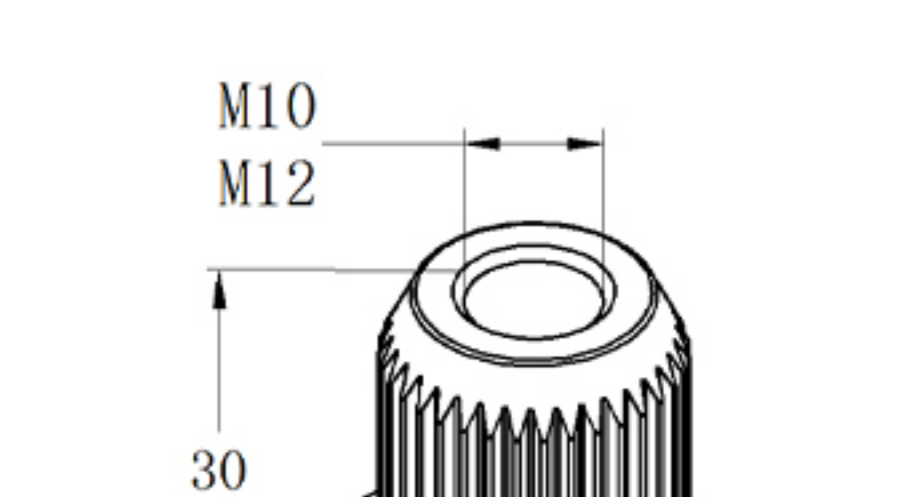
Material	SPCC
Weight	0.098 kg
Packaging	100 pcs



JY-1209C



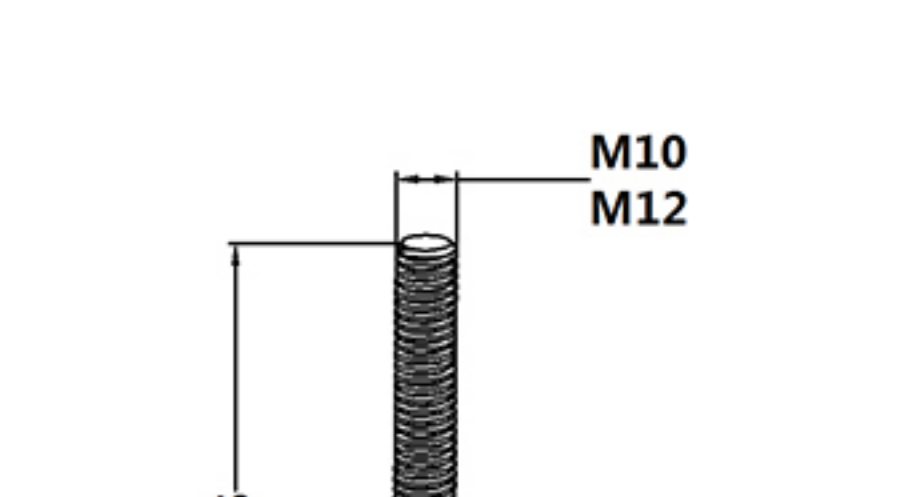
Material	SPCC
Weight	0.068 kg
Packaging	100 pcs



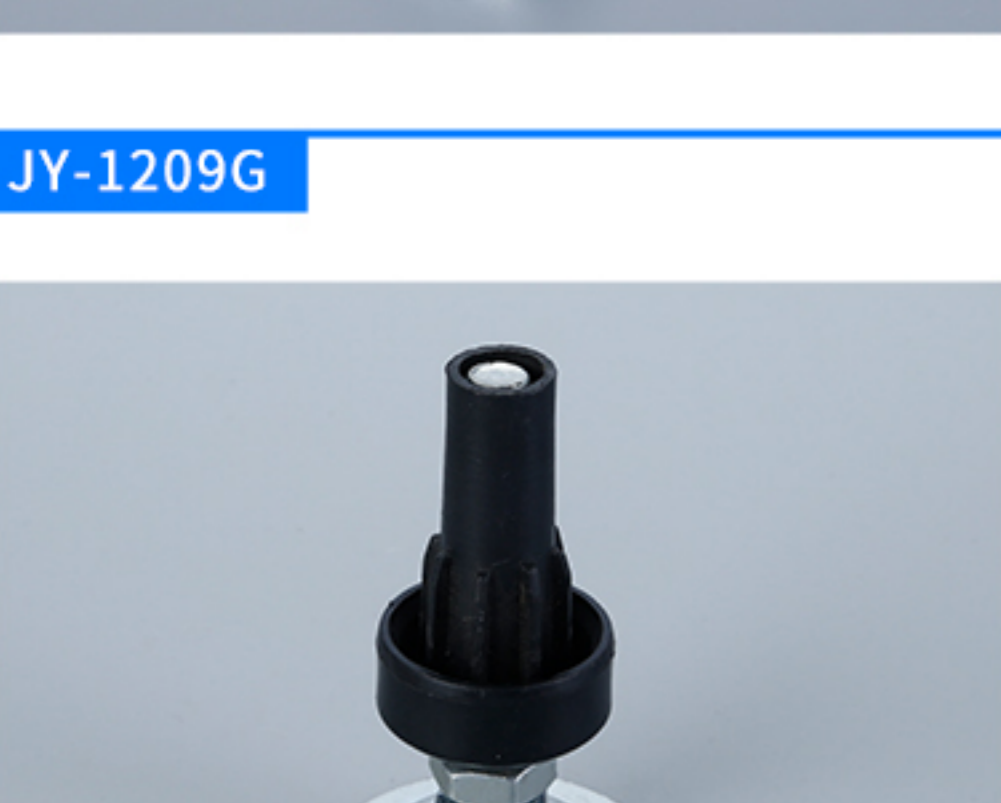
JY-1209E



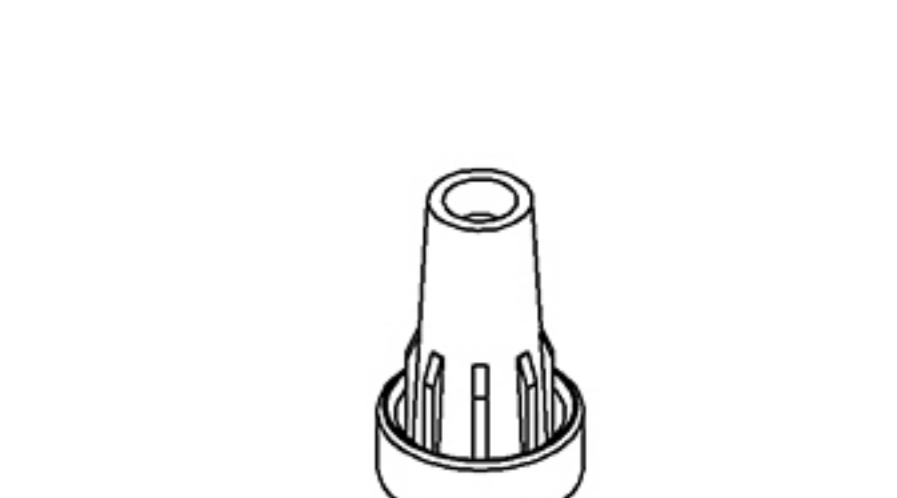
Material	SPCC
Weight	M10: 0.065 kg
	M12: 0.114 kg
Packaging	100 pcs



JY-1209G



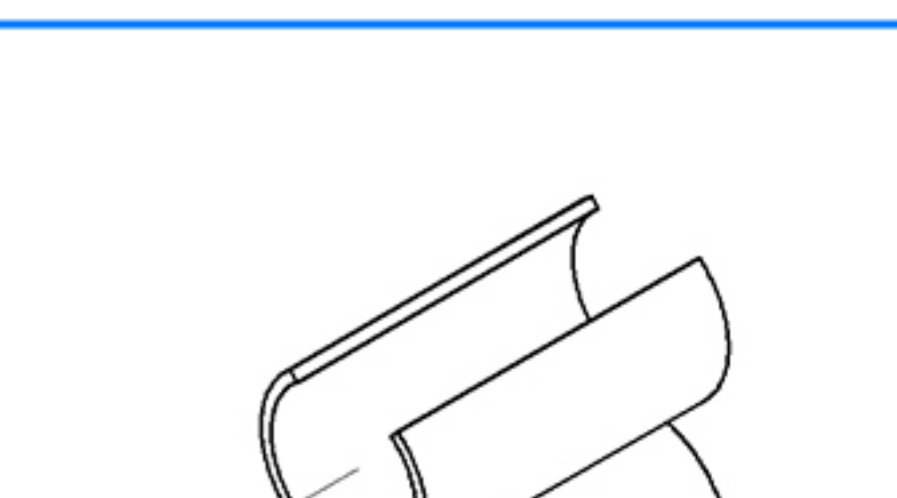
Material	SPCC
Weight	0.082 kg
Packaging	100 pcs


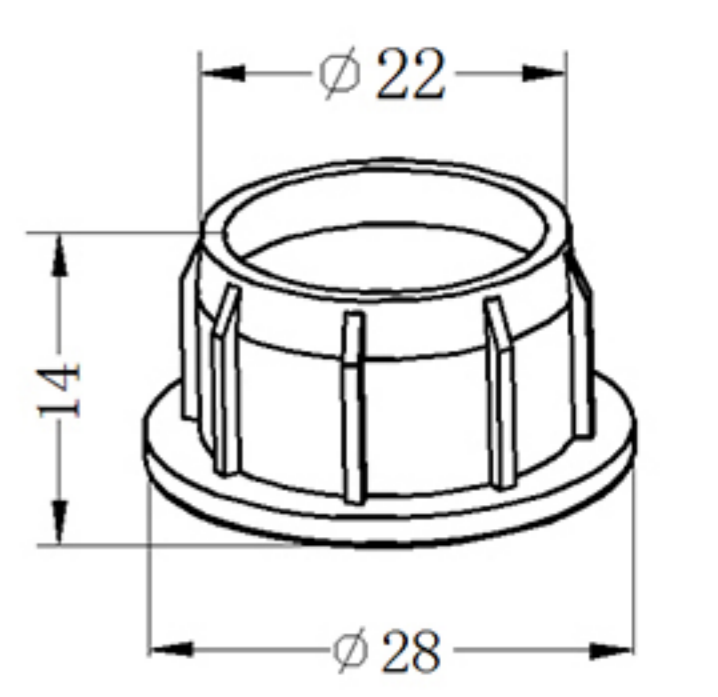
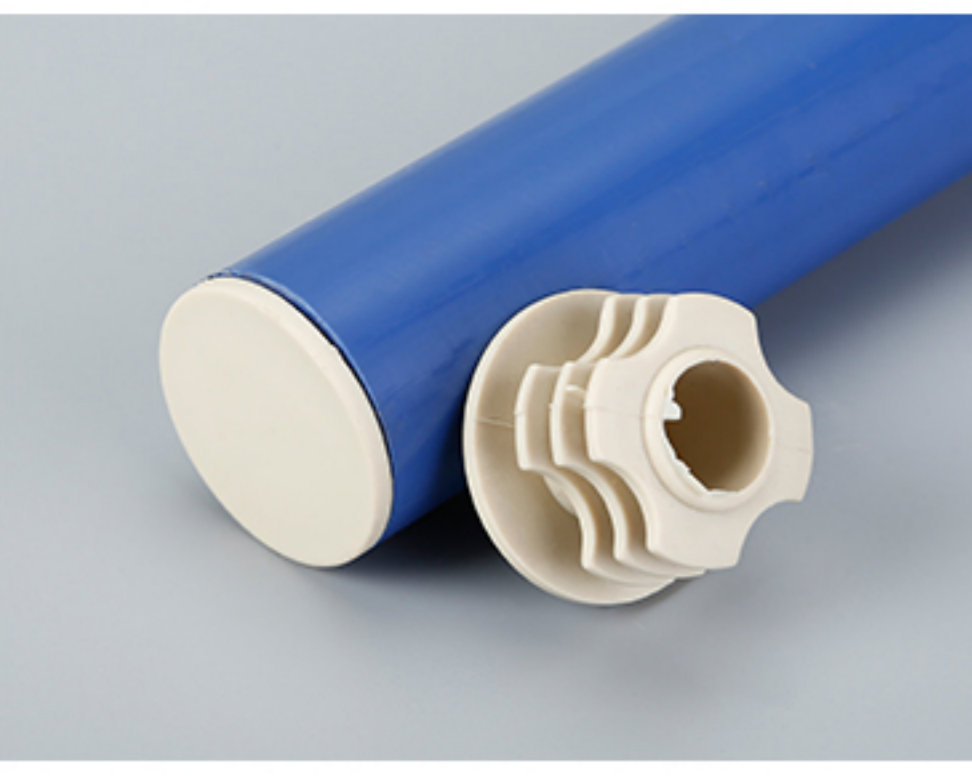
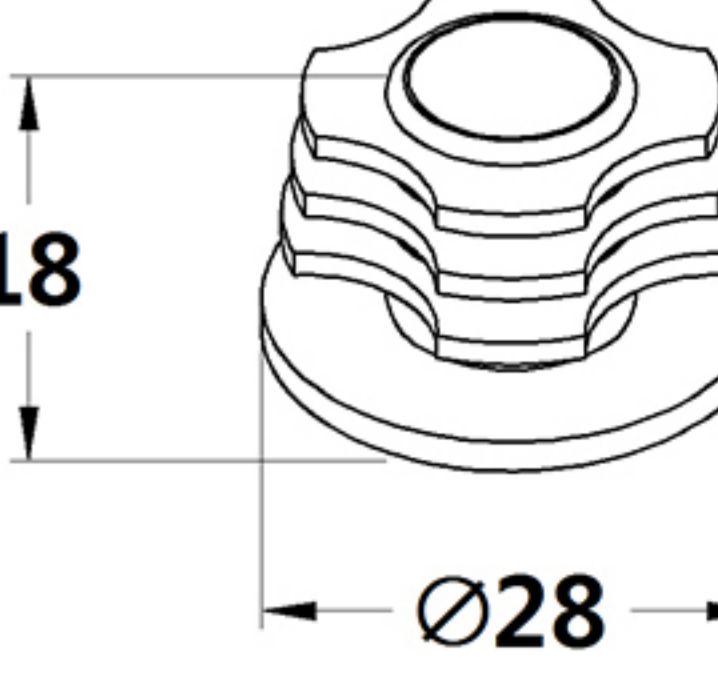

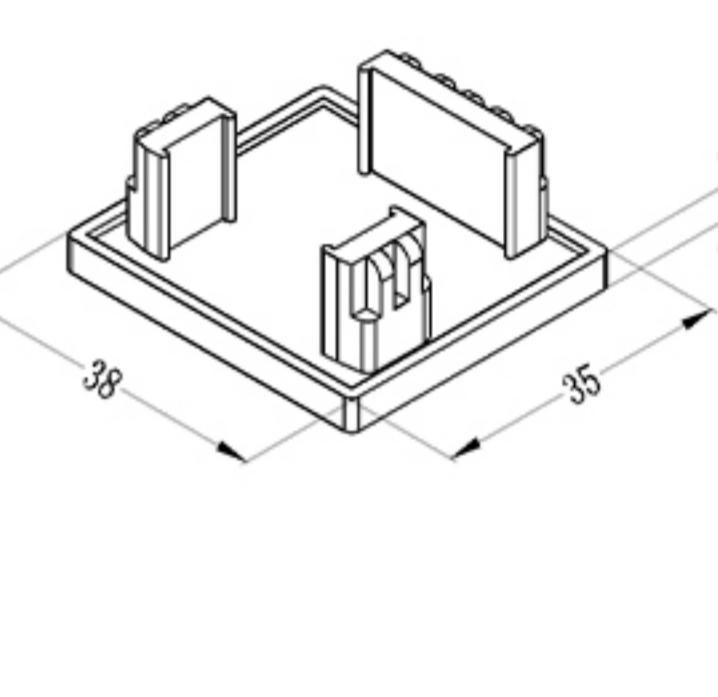

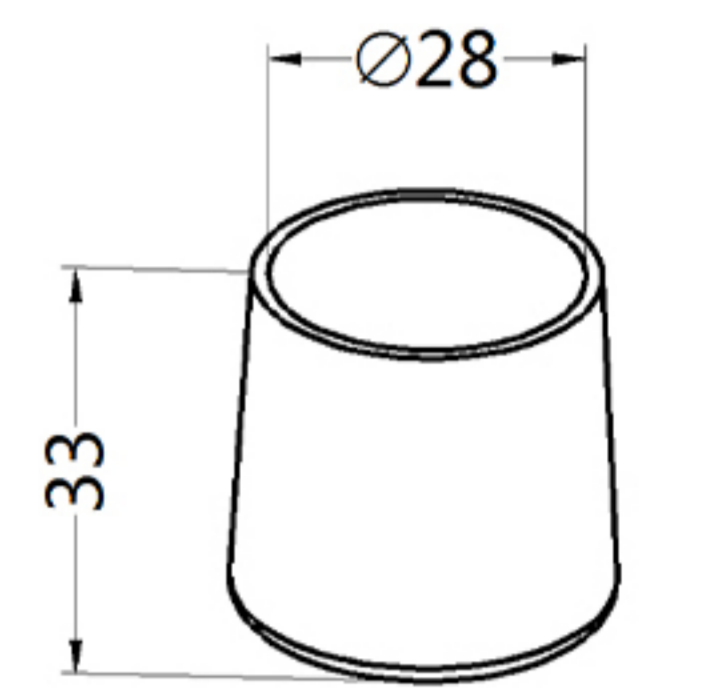

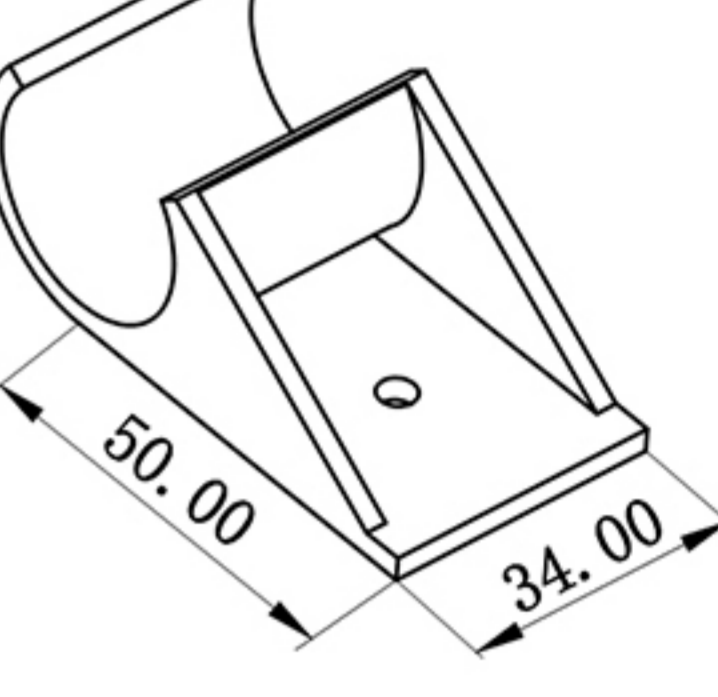

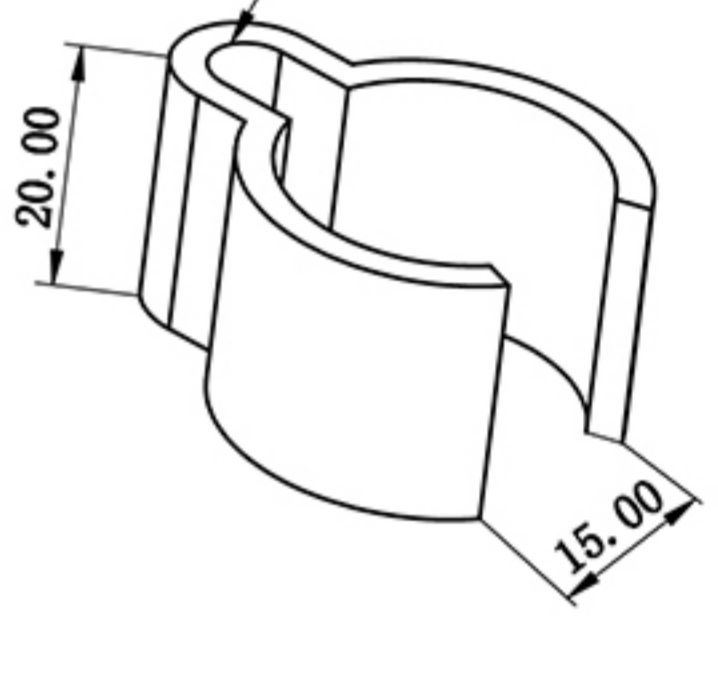

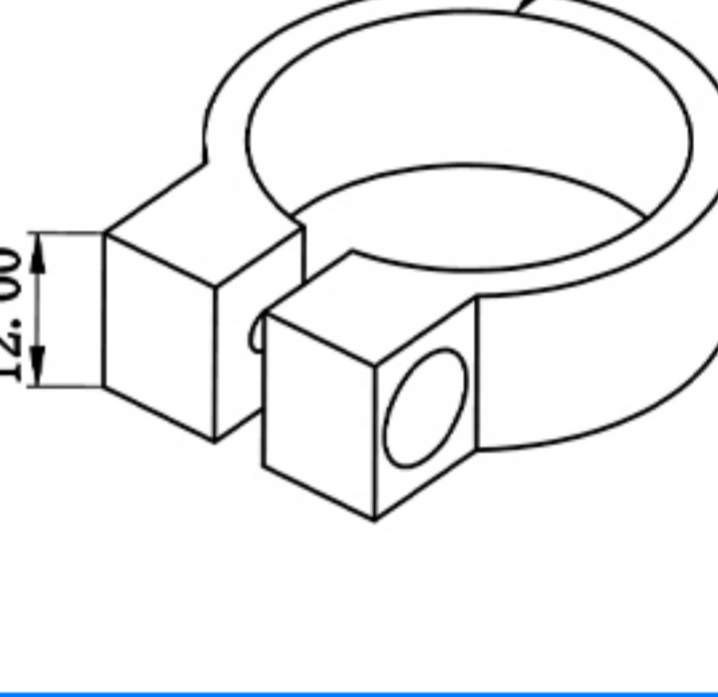
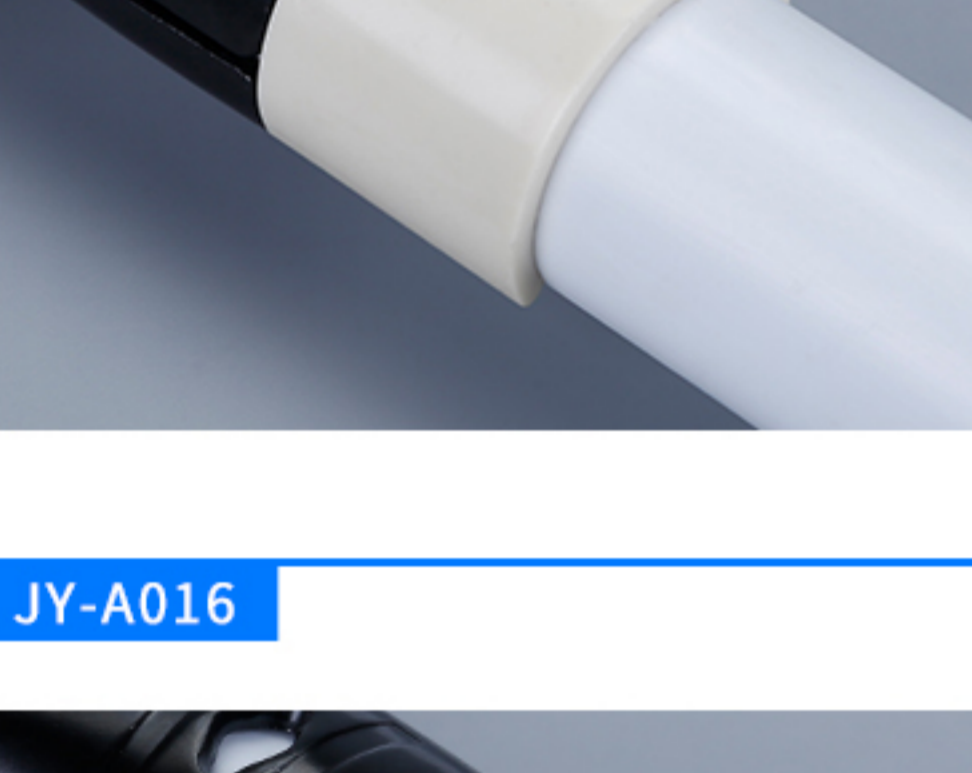
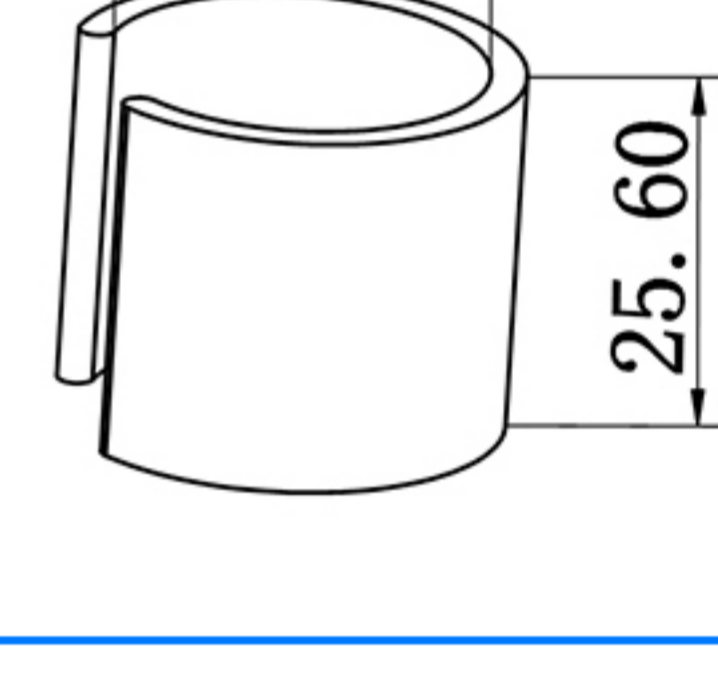

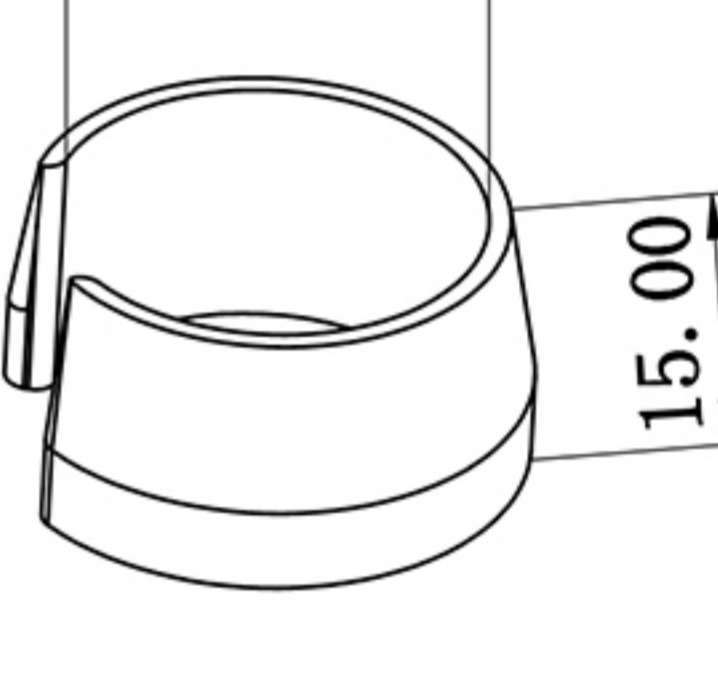

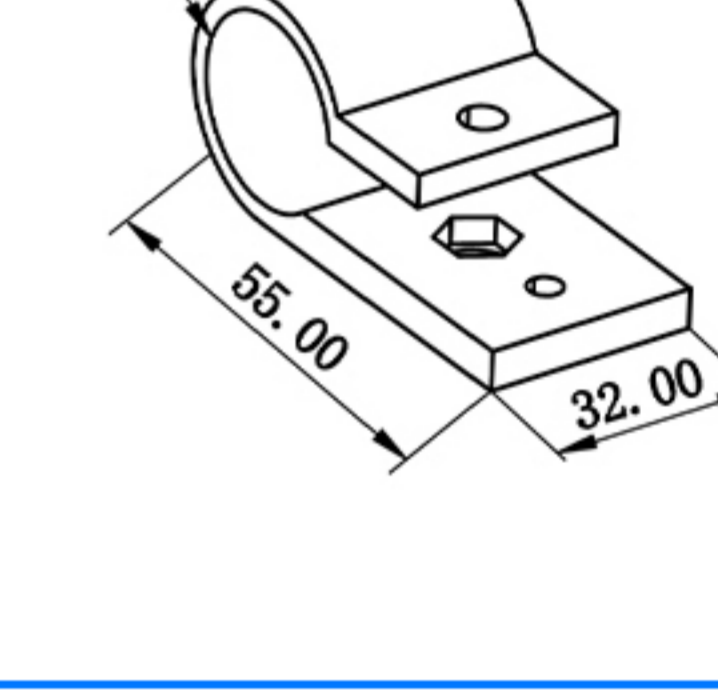
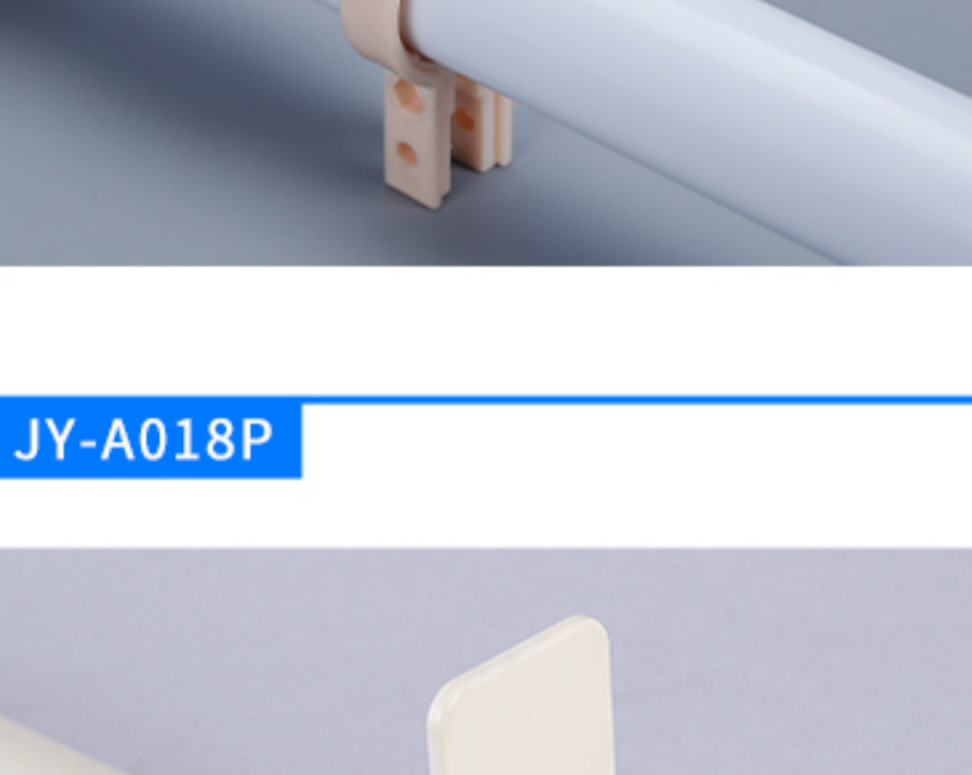
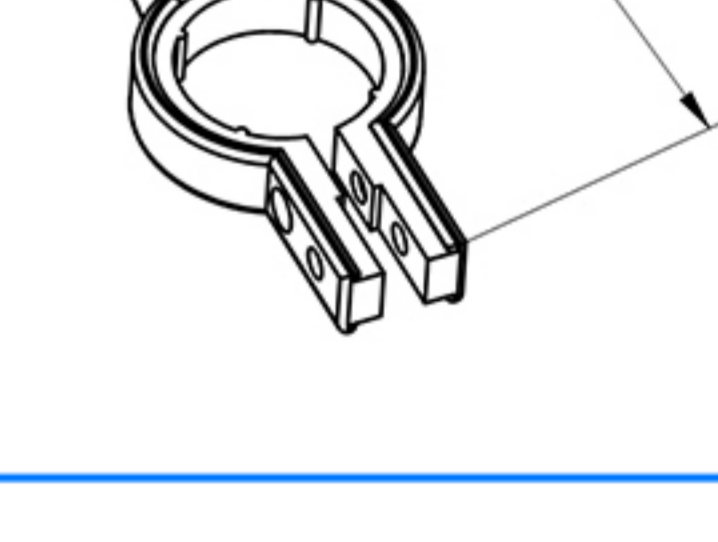

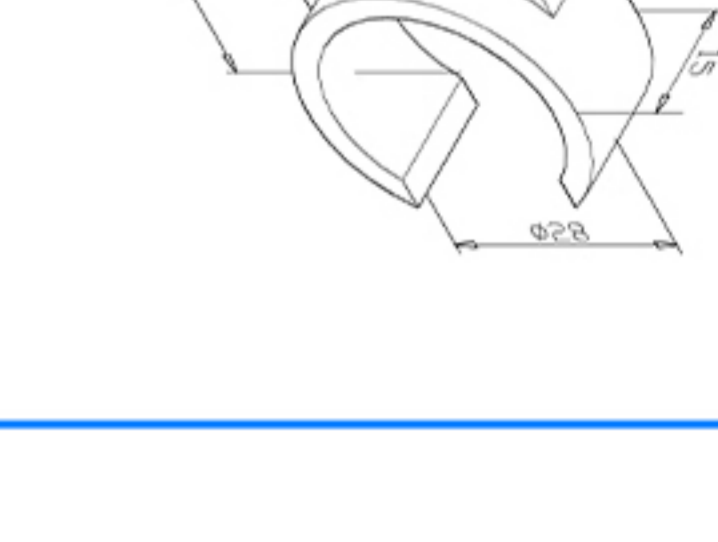
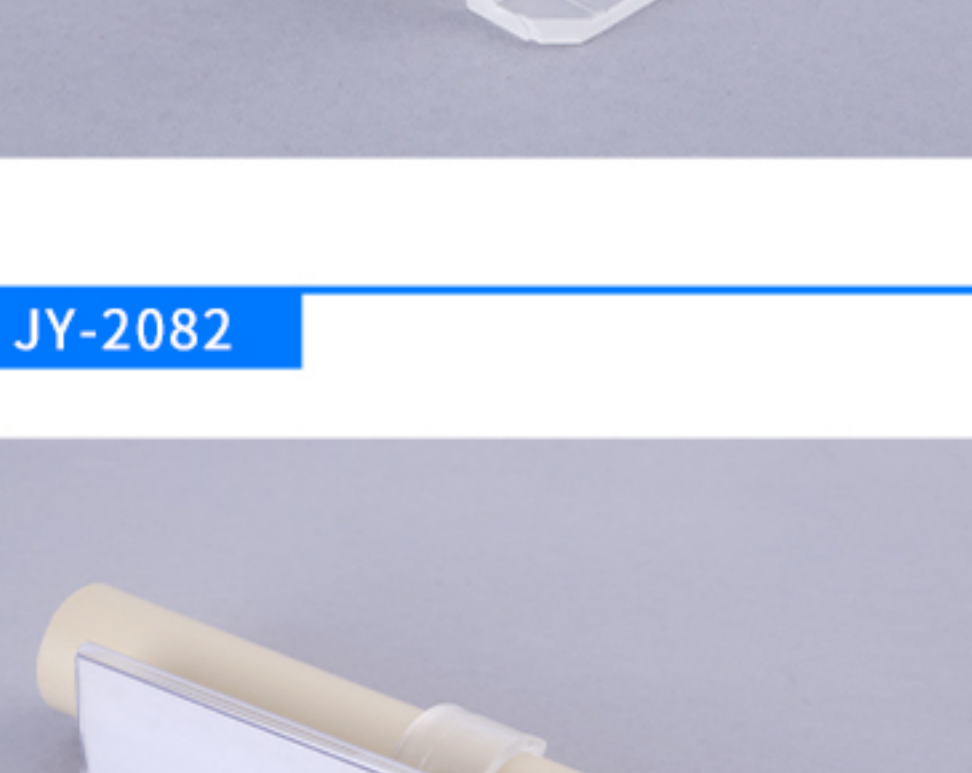
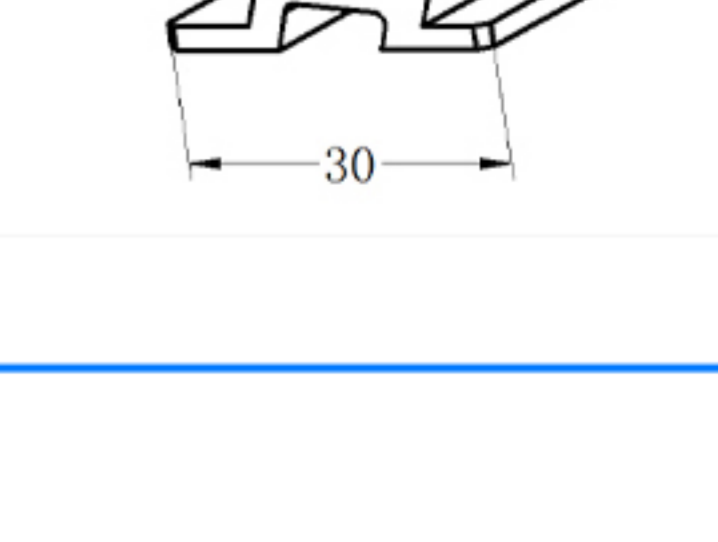
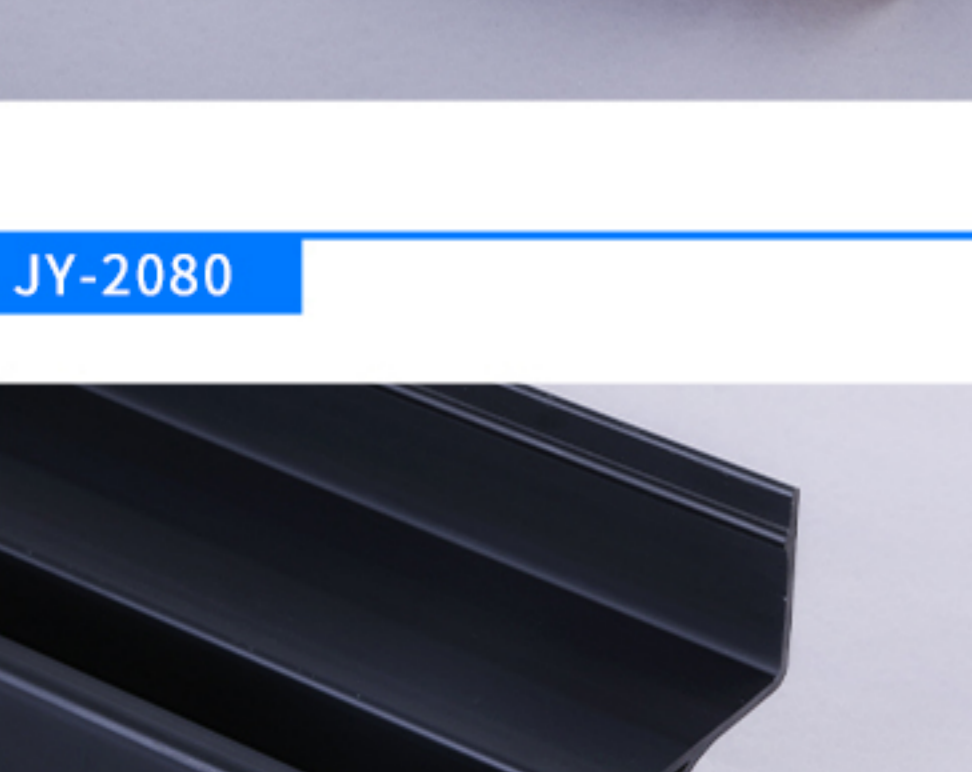
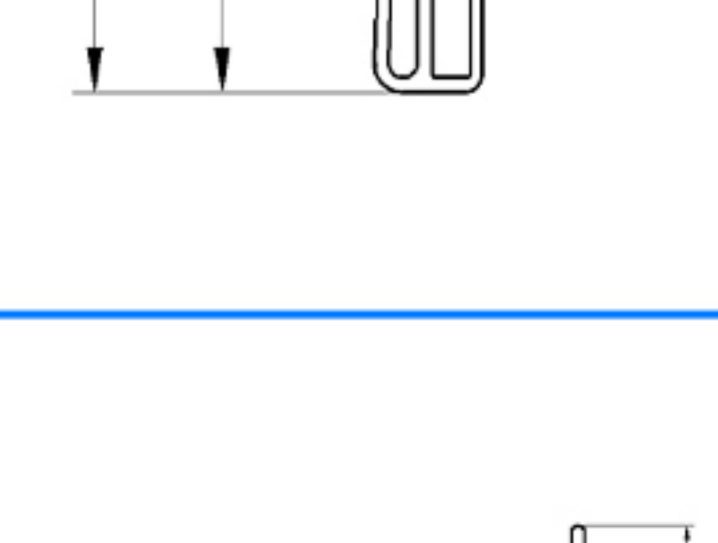
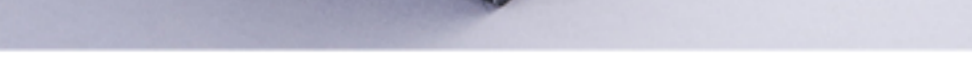
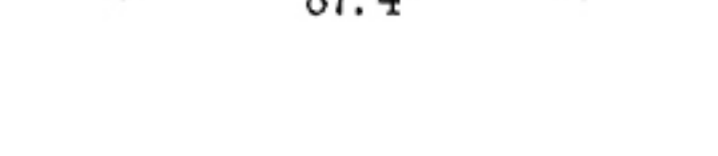


JY-2044FF



Material	SPCC
Weight	0.135 kg
Packaging	50 pcs



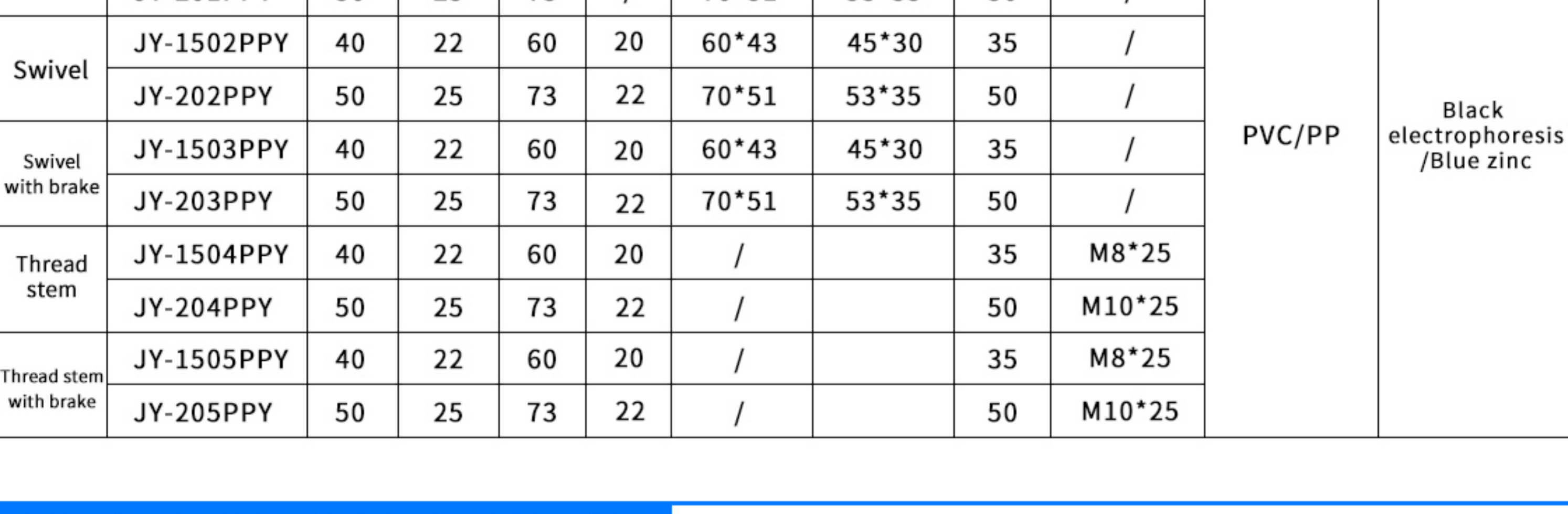
	<table border="1"> <tr><td>Material</td><td>PP</td></tr> <tr><td>Weight</td><td>0.003/KG</td></tr> <tr><td>Match</td><td>0.7/0.8/1.0/1.2SUS pipe</td></tr> <tr><td>Color</td><td>Black/Beige/Ivory</td></tr> <tr><td>Packaging</td><td>1000 PCS</td></tr> </table>	Material	PP	Weight	0.003/KG	Match	0.7/0.8/1.0/1.2SUS pipe	Color	Black/Beige/Ivory	Packaging	1000 PCS	
Material	PP											
Weight	0.003/KG											
Match	0.7/0.8/1.0/1.2SUS pipe											
Color	Black/Beige/Ivory											
Packaging	1000 PCS											
	<table border="1"> <tr><td>Material</td><td>PP</td></tr> <tr><td>Weight</td><td>0.003/KG</td></tr> <tr><td>Match</td><td>0.7/0.8/1.0/1.2SUS pipe</td></tr> <tr><td>Color</td><td>Black/Beige/Ivory</td></tr> <tr><td>Packaging</td><td>1000 PCS</td></tr> </table>	Material	PP	Weight	0.003/KG	Match	0.7/0.8/1.0/1.2SUS pipe	Color	Black/Beige/Ivory	Packaging	1000 PCS	
Material	PP											
Weight	0.003/KG											
Match	0.7/0.8/1.0/1.2SUS pipe											
Color	Black/Beige/Ivory											
Packaging	1000 PCS											
	<table border="1"> <tr><td>Material</td><td>PP</td></tr> <tr><td>Weight</td><td>0.007/KG</td></tr> <tr><td>Match</td><td>Aluminum roller track</td></tr> <tr><td>Color</td><td>Black/Yellow/Ivory</td></tr> <tr><td>Packaging</td><td>500 PCS</td></tr> </table>	Material	PP	Weight	0.007/KG	Match	Aluminum roller track	Color	Black/Yellow/Ivory	Packaging	500 PCS	
Material	PP											
Weight	0.007/KG											
Match	Aluminum roller track											
Color	Black/Yellow/Ivory											
Packaging	500 PCS											
	<table border="1"> <tr><td>Material</td><td>PP</td></tr> <tr><td>Weight</td><td>0.009/KG</td></tr> <tr><td>Match</td><td>Coated pipe/SUS pipe</td></tr> <tr><td>Color</td><td>Black</td></tr> <tr><td>Packaging</td><td>200 PCS</td></tr> </table>	Material	PP	Weight	0.009/KG	Match	Coated pipe/SUS pipe	Color	Black	Packaging	200 PCS	
Material	PP											
Weight	0.009/KG											
Match	Coated pipe/SUS pipe											
Color	Black											
Packaging	200 PCS											
	<table border="1"> <tr><td>Material</td><td>ABS</td></tr> <tr><td>Weight</td><td>0.013/KG</td></tr> <tr><td>Color</td><td>Black/Beige/Ivory</td></tr> <tr><td>Packaging</td><td>50 PCS</td></tr> </table>	Material	ABS	Weight	0.013/KG	Color	Black/Beige/Ivory	Packaging	50 PCS			
Material	ABS											
Weight	0.013/KG											
Color	Black/Beige/Ivory											
Packaging	50 PCS											
	<table border="1"> <tr><td>Material</td><td>ABS</td></tr> <tr><td>Weight</td><td>0.005/KG</td></tr> <tr><td>Color</td><td>Black/Beige/Ivory</td></tr> <tr><td>Packaging</td><td>500 PCS</td></tr> </table>	Material	ABS	Weight	0.005/KG	Color	Black/Beige/Ivory	Packaging	500 PCS			
Material	ABS											
Weight	0.005/KG											
Color	Black/Beige/Ivory											
Packaging	500 PCS											
	<table border="1"> <tr><td>Material</td><td>ABS</td></tr> <tr><td>Weight</td><td>0.0045/KG</td></tr> <tr><td>Color</td><td>Black/Beige/Ivory</td></tr> <tr><td>Packaging</td><td>500 PCS</td></tr> </table>	Material	ABS	Weight	0.0045/KG	Color	Black/Beige/Ivory	Packaging	500 PCS			
Material	ABS											
Weight	0.0045/KG											
Color	Black/Beige/Ivory											
Packaging	500 PCS											
	<table border="1"> <tr><td>Material</td><td>ABS</td></tr> <tr><td>Weight</td><td>0.005/KG</td></tr> <tr><td>Color</td><td>Black/Beige/Ivory</td></tr> <tr><td>Packaging</td><td>500 PCS</td></tr> </table>	Material	ABS	Weight	0.005/KG	Color	Black/Beige/Ivory	Packaging	500 PCS			
Material	ABS											
Weight	0.005/KG											
Color	Black/Beige/Ivory											
Packaging	500 PCS											
	<table border="1"> <tr><td>Material</td><td>ABS</td></tr> <tr><td>Weight</td><td>0.003/KG</td></tr> <tr><td>Color</td><td>Black/Beige/Ivory</td></tr> <tr><td>Packaging</td><td>500 PCS</td></tr> </table>	Material	ABS	Weight	0.003/KG	Color	Black/Beige/Ivory	Packaging	500 PCS			
Material	ABS											
Weight	0.003/KG											
Color	Black/Beige/Ivory											
Packaging	500 PCS											
	<table border="1"> <tr><td>Material</td><td>ABS</td></tr> <tr><td>Weight</td><td>0.019/KG</td></tr> <tr><td>Color</td><td>Black/Beige/Ivory</td></tr> <tr><td>Packaging</td><td>100 PCS</td></tr> </table>	Material	ABS	Weight	0.019/KG	Color	Black/Beige/Ivory	Packaging	100 PCS			
Material	ABS											
Weight	0.019/KG											
Color	Black/Beige/Ivory											
Packaging	100 PCS											
	<table border="1"> <tr><td>Material</td><td>ABS</td></tr> <tr><td>Weight</td><td>0.009/KG</td></tr> <tr><td>Color</td><td>Black/Beige/Ivory</td></tr> <tr><td>Packaging</td><td>100 PCS</td></tr> </table>	Material	ABS	Weight	0.009/KG	Color	Black/Beige/Ivory	Packaging	100 PCS			
Material	ABS											
Weight	0.009/KG											
Color	Black/Beige/Ivory											
Packaging	100 PCS											
	<table border="1"> <tr><td>Material</td><td>ABS</td></tr> <tr><td>Weight</td><td>0.010/KG</td></tr> <tr><td>Color</td><td>Black/Beige/Ivory</td></tr> <tr><td>Packaging</td><td>100 PCS</td></tr> </table>	Material	ABS	Weight	0.010/KG	Color	Black/Beige/Ivory	Packaging	100 PCS			
Material	ABS											
Weight	0.010/KG											
Color	Black/Beige/Ivory											
Packaging	100 PCS											
	<table border="1"> <tr><td>Material</td><td>PVC</td></tr> <tr><td>Weight</td><td>0.007/KG</td></tr> <tr><td>Color</td><td>Transparency</td></tr> <tr><td>Packaging</td><td>500 PCS</td></tr> </table>	Material	PVC	Weight	0.007/KG	Color	Transparency	Packaging	500 PCS			
Material	PVC											
Weight	0.007/KG											
Color	Transparency											
Packaging	500 PCS											
	<table border="1"> <tr><td>Material</td><td>PVC</td></tr> <tr><td>Weight</td><td>0.063/KG/M</td></tr> <tr><td>Color</td><td>Transparency</td></tr> <tr><td>Packaging</td><td>100Meters/pcs</td></tr> </table>	Material	PVC	Weight	0.063/KG/M	Color	Transparency	Packaging	100Meters/pcs			
Material	PVC											
Weight	0.063/KG/M											
Color	Transparency											
Packaging	100Meters/pcs											
	<table border="1"> <tr><td>Material</td><td>PVC</td></tr> <tr><td>Weight</td><td>0.99/KG/M</td></tr> <tr><td>Color</td><td>Black/Ivory</td></tr> <tr><td>Packaging</td><td>8Meters/pcs</td></tr> </table>	Material	PVC	Weight	0.99/KG/M	Color	Black/Ivory	Packaging	8Meters/pcs			
Material	PVC											
Weight	0.99/KG/M											
Color	Black/Ivory											
Packaging	8Meters/pcs											

Gold diamond series double bearing light PVC black caster



Function	Item							screw size	The material of wheel	The color of support
Fixed	JY-1501PB	40	22	60	/	60*43	45*30	35	PVC/PP/PU	Black electrophoresis /Blue zinc
	JY-201PB	50	25	73	/	70*51	53*35	50		
Swivel	JY-1502PB	40	22	60	20	60*43	45*30	35		
	JY-202PB	50	25	73	22	70*51	53*35	50		
Swivel with brake	JY-1503PB	40	22	60	20	60*43	45*30	35		
	JY-203PB	50	25	73	22	70*51	53*35	50		
Thread stem	JY-1504PB	40	22	60	20	/	/	35		
	JY-204PB	50	25	73	22	/	/	50		
Thread stem with brake	JY-1505PB	40	22	60	20	/	/	35		
	JY-205PB	50	25	73	22	/	/	50		

Gold diamond series double bearing light PP white caster



Function	Item							screw size	The material of wheel	The color of support
Fixed	JY-1501PPY	40	22	60	/	60*43	45*30	35	PVC/PP	Black electrophoresis /Blue zinc
	JY-201PPY	50	25	73	/	70*51	53*35	50		
Swivel	JY-1502PPY	40	22	60	20	60*43	45*30	35		
	JY-202PPY	50	25	73	22	70*51	53*35	50		
Swivel with brake	JY-1503PPY	40	22	60	20	60*43	45*30	35		
	JY-203PPY	50	25	73	22	70*51	53*35	50		
Thread stem	JY-1504PPY	40	22	60	20	/	/	35		
	JY-204PPY	50	25	73	22	/	/	50		
Thread stem with brake	JY-1505PPY	40	22	60	20	/	/	35		
	JY-205PPY	50	25	73	22	/	/	50		

Light weight rubber casters with hole topping



Function	Item							The aperture of hole topped	The material of wheel	The color of support	
Plate Swivel (Hole topped)	JY-202RKG	50	19	75	22	60.5*60.5	47.5*38	40	M10	TPR	Black electrophoresis /Blue zinc
	JY-302RKG	75	24	100	23	60.5*60.5	47.5*38	70			
	JY-402RKG	100		125	25	60.5*60.5	47.5*38	70			
Plate Swivel with brake (Hole topped)	JY-203RKG	50	19	75	22	60.5*60.5	47.5*38	40			
	JY-303RKG	75	24	100	23	60.5*60.5	47.5*38	70			
	JY-403RKG	100		125	25	60.5*60.5	47.5*38	70			
Swivel (Hole topped)	JY-204RKG	50	19	75	22	/	/	40			
	JY-304RKG	75	24	100	23	/	/	70			
	JY-404RKG	100		125	25	/	/	70			
Swivel with brake (Hole topped)	JY-205RKG	50	19	75	22	/	/	40			
	JY-305RKG	75	24	100	23	/	/	70			
	JY-405RKG	100		125	25	/	/	70			

Medium PVC industrial casters



Function	Item							screw size	The material of wheel	The color of support
Fixed	JY-301PG	70	32	108	/	62*95	73*45	90	PVC	Black electrophoresis /Blue zinc
	JY-401PG	100		130	/			100		
	JY-501PG	125		155	/			130		
Swivel	JY-302PG	70		108	71			90		
	JY-402PG	100		130	87			100		
	JY-502PG	125		155	96			130		
Swivel with brake	JY-303PG	70		108	116			90		
	JY-403PG	100		130	116			100		
	JY-503PG	125		155	130			130		
Thread stem	JY-304PG	70		108	71			90		
	JY-404PG	100	130	87	100					
	JY-504PG	125	155	96	130					
Thread stem with brake	JY-305PG	70	108	116	90					
	JY-405PG	100	130	116	100					
	JY-505PG	125	155	130	130					

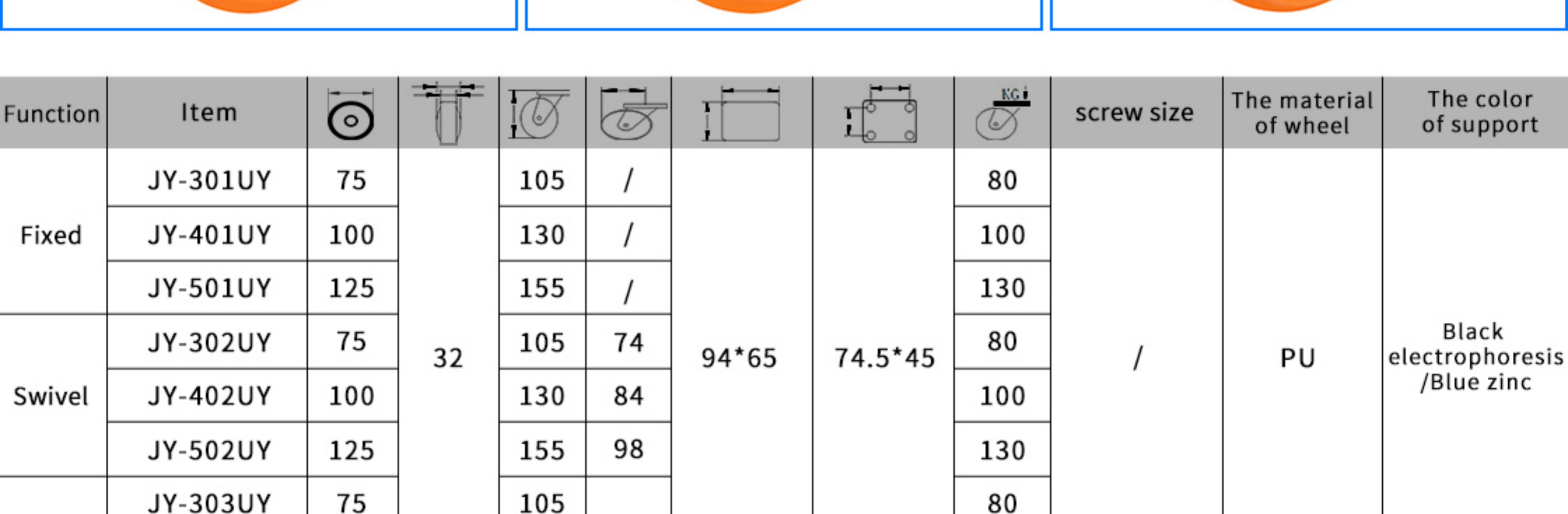
Wheel-JY-XXXXPG



Wheel-JY-XXXXPR

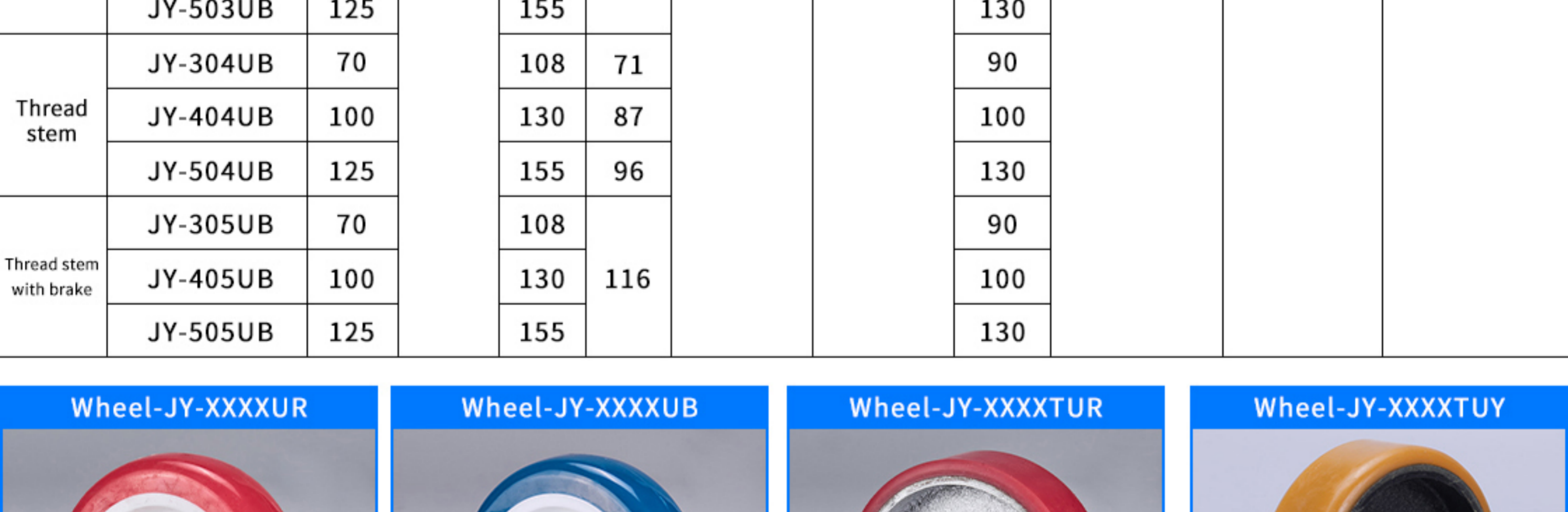


MEDIUM PU GREY INDUSTRIAL CASTER



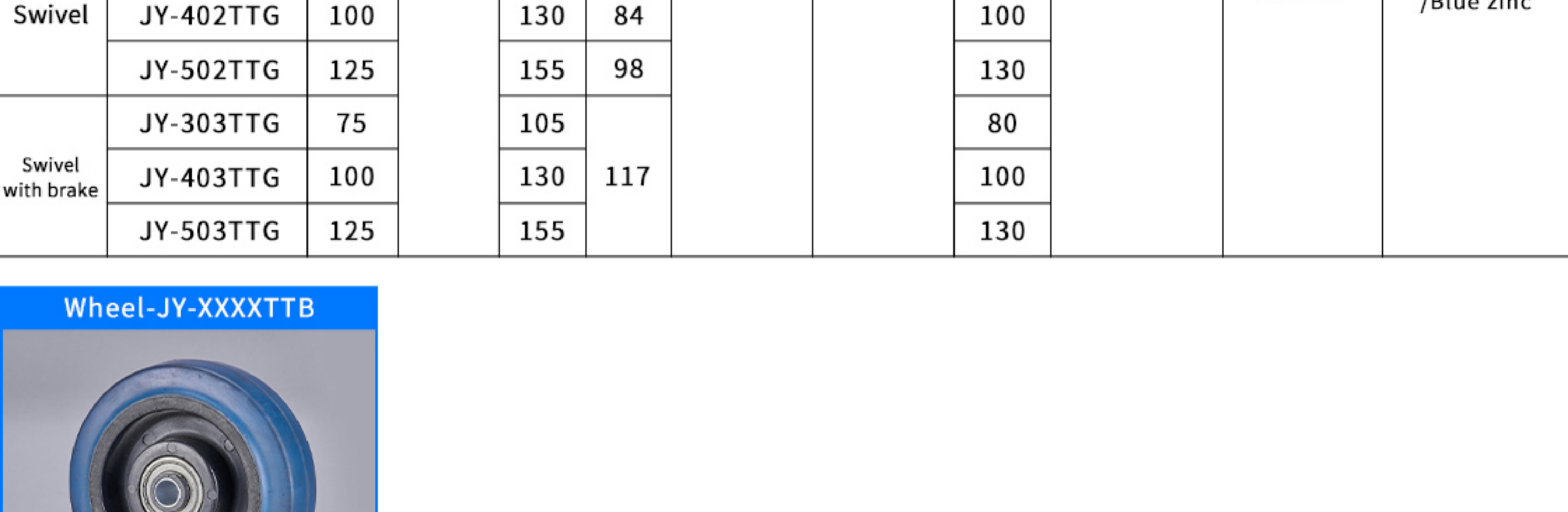
Function	Item							screw size	The material of wheel	The color of support
fixed	JY-301UG	70	32	105	/	94*65	74.5*45	80	PU	Black electrophoresis /Blue zinc
	JY-401UG	100		130	/			100		
	JY-501UG	125		155	/			130		
swivel	JY-302UG	70		105	74			80		
	JY-402UG	100		130	84			100		
	JY-502UG	125		155	98			130		
swivel with brake	JY-303UG	70		105	117			80		
	JY-403UG	100		130	117			100		
	JY-503UG	125		155	130			130		

Medium PU orange industrial caster



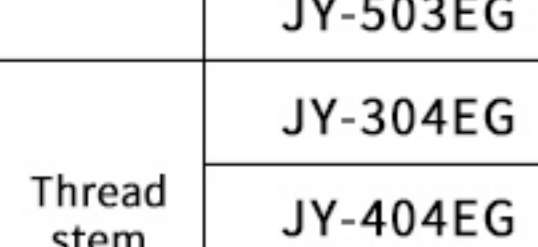
Function	Item							screw size	The material of wheel	The color of support
Fixed	JY-301UY	75	32	105	/	94*65	74.5*45	80	PU	Black electrophoresis /Blue zinc
	JY-401UY	100		130	/			100		
	JY-501UY	125		155	/			130		
Swivel	JY-302UY	75		105	74			80		
	JY-402UY	100		130	84			100		
	JY-502UY	125		155	98			130		
Swivel with brake	JY-303UY	75		105	117			80		
	JY-403UY	100		130	117			100		
	JY-503UY	125		155	130			130		

MEDIUM PU INDUSTRIAL CASTERS

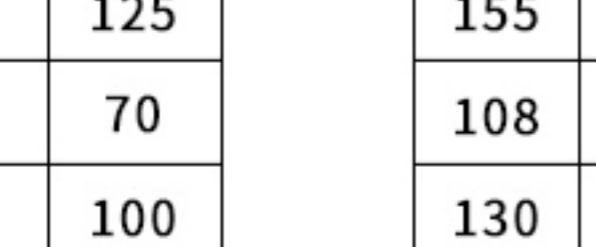


Function	Item							screw size	The material of wheel	The color of support
Fixed	JY-301UB	70	32	108	/	62*95	73*45	90	PU	Black electrophoresis /Blue zinc
	JY-401UB	100		130	/			100		
	JY-501UB	125		155	/			130		
Swivel	JY-302UB	70		108	71			90		
	JY-402UB	100		130	87			100		
	JY-502UB	125		155	96			130		
Swivel with brake	JY-303UB	70		108	116			90		
	JY-403UB	100		130	116			100		
	JY-503UB	125		155	130			130		
Thread stem	JY-304UB	70		108	71			90		
	JY-404UB	100	130	87	100					
	JY-504UB	125	155	96	130					
Thread stem with brake	JY-305UB	70	108	116	90					
	JY-405UB	100	130	116	100					
	JY-505UB	125	155	130	130					

Wheel-JY-XXXXUR



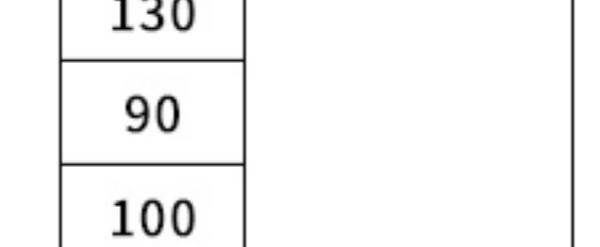
Wheel-JY-XXXXUB



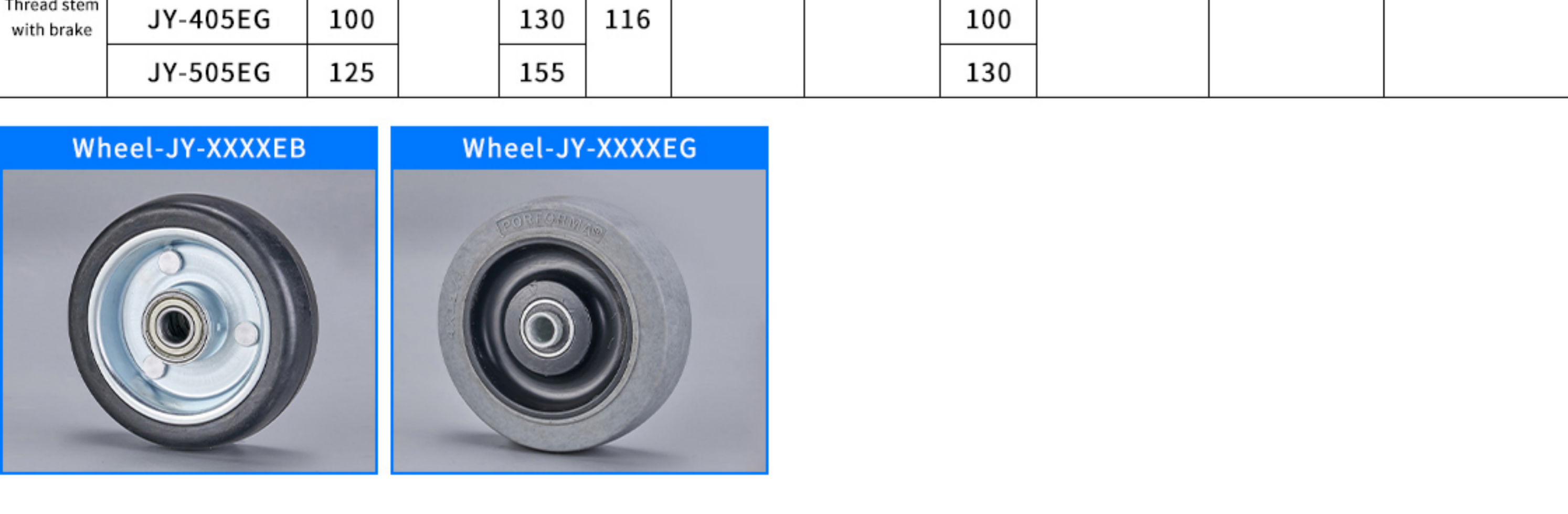
Wheel-JY-XXXXTUR



Wheel-JY-XXXXTUY



Medium PU industrial casters



Function	Item							screw size	The material of wheel	The color of support
Fixed	JY-301TTG	75	32	105	/	94*65	74.5*45	80	Elastic rubber	Black electrophoresis /Blue zinc
	JY-401TTG	100		130	/			100		
	JY-501TTG	125		155	/			130		
Swivel	JY-302TTG	75		105	74			80		
	JY-402TTG	100		130	84			100		
	JY-502TTG	125		155	98			130		
Swivel with brake	JY-303TTG	75		105	117			80		
	JY-403TTG	100		130	117			100		
	JY-503TTG	125		155	130			130		

Wheel-JY-XXXXTB

Medium anti-static industrial casters

Function	Item							screw size	The material of wheel	Ω
Fixed	JY-301EG	70	32	108	/	62*95	73*45	90	ESD rubber	10 (6*-9^*) anti-static 10 (3*-6^*) Conductive
	JY-401EG	100		130	/			100		
	JY-501EG	125		155	/			130		
Swivel	JY-302EG	70		108	71			90		
	JY-402EG	100		130	87			100		
	JY-502EG	125		155	96			130		
Swivel with brake	JY-303EG	70		108	116			90		
	JY-403EG	100		130	116			100		
	JY-503EG	125		155	130			130		
Thread stem	JY-304EG	70		108	71			90		
	JY-404EG	100	130	87	100					
	JY-504EG	125	155	96	130					
Thread stem with brake	JY-305EG	70	108	116	90					
	JY-405EG	100	130	116	100					
	JY-505EG	125	155	130	130					

Wheel-JY-XXXXEB

Wheel-JY-XXXXEG

Heavy duty welded aluminum core round red PU caster

		JY-401UR-T		JY-402UR-T		JY-403UR-T						
Function	Item							Bearing	The material of wheel	The core of wheel	The color of support	
Fixed	JY-301UY	100		142	/							
	JY-401UY	125		165	/							
	JY-501UY	150		190	/							
	JY-501UY	200		240	/							
Swivel	JY-301UY	100	50	142	86	115*100	92*76 76*67	250	Double ball bearing	polyurethane	aluminium alloy	Black electrophoresis /Blue zinc
	JY-401UY	125		165	103			400				
	JY-501UY	150		190	122			550				
	JY-501UY	200		240	151			600				
swivel with brake	JY-301UY	100		142	135			250				
	JY-401UY	125		165				400				
	JY-501UY	150		190				550				
	JY-501UY	200		240	162			600				

Heavy duty welded nylon core round orange PU caster

		JY-401UY-T		JY-402UY-T		JY-403UY-T						
Function	Item							Bearing	The material of wheel	The core of wheel	The color of support	
Fixed	JY-301UY-T	100		142	/			220				
	JY-401UY-T	125		165	/			240				
	JY-501UY-T	150		190	/			310				
	JY-501UY-T	200		240	/			370				
Swivel	JY-301UY-T	100	50	142	86	115*100	92*76 76*67	220	Double ball bearing	polyurethane	PA	Black electrophoresis /Blue zinc
	JY-401UY-T	125		165	103			240				
	JY-501UY-T	150		190	122			310				
	JY-501UY-T	200		240	151			370				
swivel with brake	JY-301UY-T	100		142	135			220				
	JY-401UY-T	125		165				240				
	JY-501UY-T	150		190				310				
	JY-501UY-T	200		240	162			370				

Heavy duty welded aluminum core flat red PU caster

		JY-401UR-P		JY-402UR-P		JY-403UR-P						
Function	Item							Bearing	The material of wheel	The core of wheel	The color of support	
Fixed	JY-401UR-P	100		142	/			250				
	JY-501UR-P	125		165	/			400				
	JY-601UR-P	150		190	/			550				
	JY-701UR-P	200		240	/			600				
Swivel	JY-402UR-P	100	50	142	86	115*100	92*76 76*67	250	Double ball bearing	PU	aluminium alloy	Black electrophoresis /Blue zinc
	JY-502UR-P	125		165	103			400				
	JY-602UR-P	150		190	122			550				
	JY-702UR-P	200		240	151			600				
swivel with brake	JY-403UR-P	100		142	135			250				
	JY-503UR-P	125		165				400				
	JY-603UR-P	150		190				550				
	JY-703UR-P	200		240	162			600				

Heavy duty welded iron core flat red PU caster

		JY-401TUR-T		JY-402TUR-T		JY-403TUR-T						
Function	Item							Bearing	The material of wheel	The core of wheel	The color of support	
Fixed	JY-401TUR-T	100		142	/			142				
	JY-501TUR-T	125		165	/			165				
	JY-601TUR-T	150		190	/			190				
	JY-701TUR-T	200		240	/			240				
Swivel	JY-402TUR-T	100	50	142	86	115*100	92*76 76*67	142	Double ball bearing	PU	cast iron	Black electrophoresis /Blue zinc
	JY-502TUR-T	125		165	103			165				
	JY-602TUR-T	150		190	122			190				
	JY-702TUR-T	200		240	151			240				
swivel with brake	JY-403TUR-T	100		142	135			142				
	JY-503TUR-T	125		165				165				
	JY-603TUR-T	150		190				190				
	JY-703TUR-T	200		240	162			240				

Heavy duty welded aluminum core flat black rubber caster

		JY-401LXB-T		JY-402LXB-T		JY-403LXB-T						
Function	Item							Bearing	The material of wheel	The core of wheel	The color of support	
Fixed	JY-401LXB-T	100		142	/			280				
	JY-501LXB-T	125		165	/			350				
	JY-601LXB-T	150		190	/			400				
	JY-701LXB-T	200		240	/			450				
Swivel	JY-402LXB-T	100	50	142	86	115*100	92*76 76*67	280	Double ball bearing	rubber	aluminium alloy	Black electrophoresis /Blue zinc
	JY-502LXB-T	125		165	103			350				
	JY-602LXB-T	150		190	122			400				
	JY-702LXB-T	200		240	151			450				
swivel with brake	JY-403LXB-T	100		142	135			280				
	JY-503LXB-T	125		165				350				
	JY-603LXB-T	150		190				400				
	JY-703LXB-T	200		240	162			450				

Heavy duty welded grey rubber casters

		JY-401TTG-T		JY-402TTG-T		JY-403TTG-T						
Function	Item							Bearing	The material of wheel	The core of wheel	The color of support	
Fixed	JY-401TTG-T	100		142	/			200				
	JY-501TTG-T	125		165	/			250				
	JY-601TTG-T	150		190	/			300				
	JY-701TTG-T	200		240	/			350				
Swivel	JY-402TTG-T	100	50	142	86	115*100	92*76 76*67	200	Double ball bearing	rubber	PP	Black electrophoresis /Blue zinc
	JY-502TTG-T	125		165	103			250				
	JY-602TTG-T	150		190	122			300				
	JY-702TTG-T	200		240	151			350				
swivel with brake	JY-403TTG-T	100		142	135			200				
	JY-503TTG-T	125		165				250				
	JY-603TTG-T	150		190				300				
	JY-703TTG-T	200		240	162			350				

Heavy duty welded white cast nylon casters

		JY-401PAW-T		JY-402PAW-T		JY-403PAW-T						
Function	Item							Bearing	The material of wheel	The core of wheel	The color of support	
Fixed	JY-401PAW-T	100		142	/			350				
	JY-501PAW-T	125		165	/			400				
	JY-601PAW-T	150		190	/			550				
	JY-701PAW-T	200		240	/			600				
Swivel	JY-402TTG-T	100	50	142	86	115*100	92*76 76*67	350	Double ball bearing	PA	PA	Black electrophoresis /Blue zinc
	JY-502TTG-T	125		165	103			400				
	JY-602TTG-T	150		190	122			550				
	JY-702TTG-T	200		240	151			600				
swivel with brake	JY-403TTG-T	100		142	135			350				
	JY-503TTG-T	125		165				400				
	JY-603TTG-T	150		190				550				
	JY-703TTG-T	200		240	162			600				

Heavy duty welded black cast nylon casters

		JY-401PAB-T		JY-402PAB-T		JY-403PAB-T						
Function	Item							Bearing	The material of wheel	The core of wheel	The color of support	
Fixed	JY-401PAB-T	100		142	/			350				
	JY-501PAB-T	125		165	/			400				
	JY-601PAB-T	150		190	/			550				
	JY-701PAB-T	200		240	/			600				
Swivel	JY-402PAB-T	100	50	142	86	115*100	92*76 76*67	350	Double ball bearing	PA	PA	Black electrophoresis /Blue zinc
	JY-502PAB-T	125		165	103			400				
	JY-602PAB-T	150		190	122			550				
	JY-702PAB-T	200		240	151			600				
swivel with brake	JY-403PAB-T	100		142	135			350				
	JY-503PAB-T	125		165				400				
	JY-603PAB-T	150		190				550				
	JY-703PAB-T	200		240	162			600				

Heavy duty welded shock-proof aluminum core rubber casters

		JY-401LXB-FT		JY-402LXB-FT		JY-403LXB-FT					



ADD: Building L, No. 45, Middle of Industrial Avenue,

Xiaolan Town, Zhongshan City, Guangdong Province, China

Tel: +86-0760-22285422

Website: www.cnyls.cn

E-mail: junliu@szyms.com